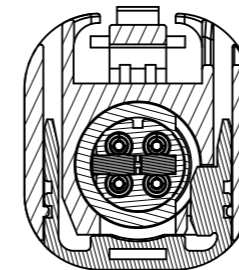
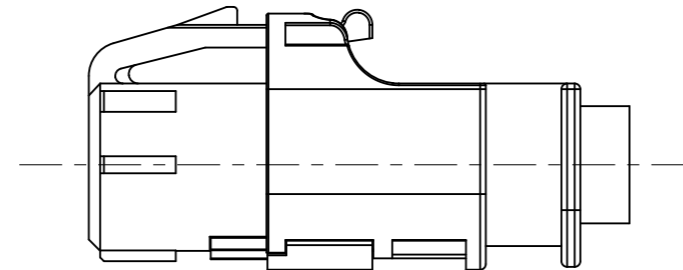
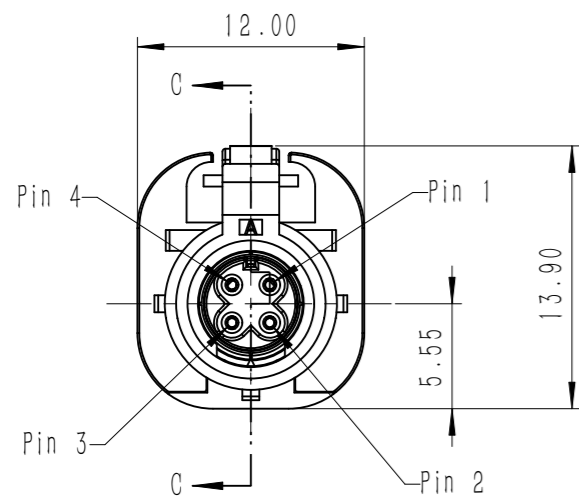
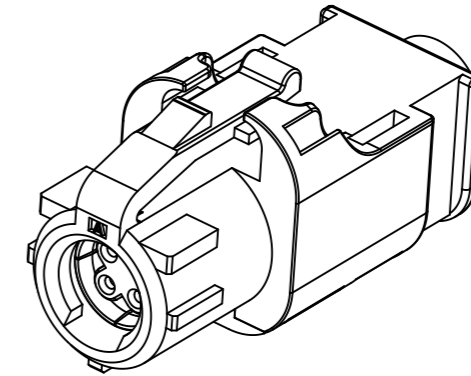
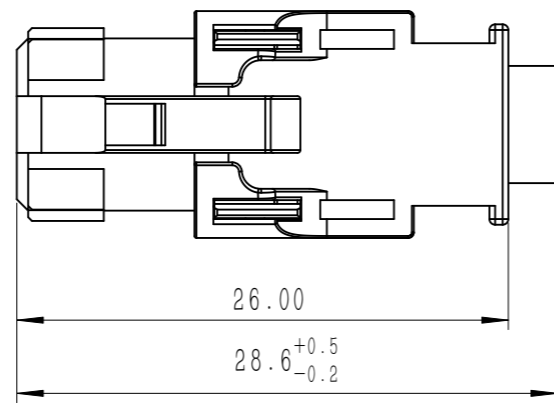


此文件为双方检验的唯一标准
This document is the only standard for inspection by both parties.

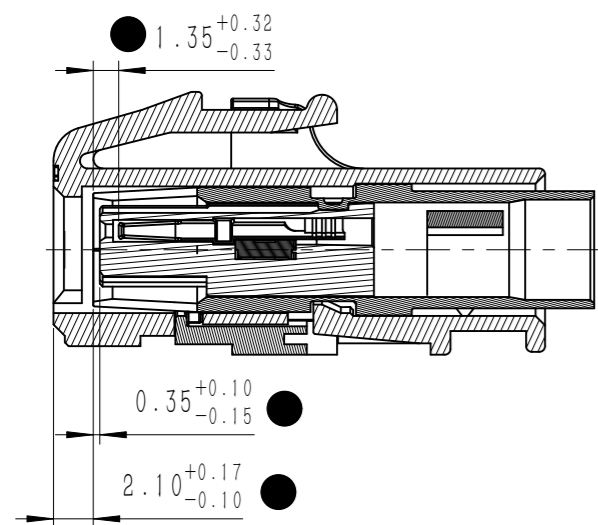
REV.	ECN. NO.	MODIFY. CONTENT	DATE
X1	**	**	2019-10-10



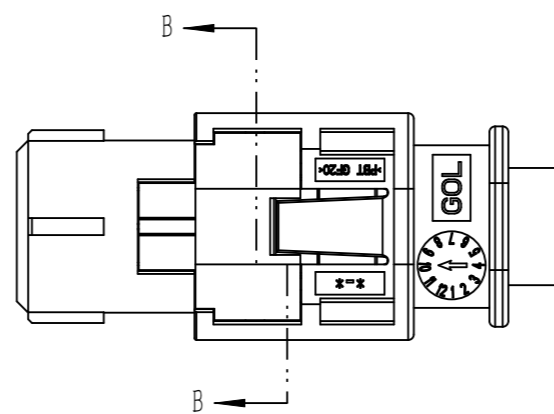
截面 B-B

技术要求:

1. 连接器颜色符合规定需求；
2. 电气性能:
 - a. 工作电压: 100 V rms;
 - b. 额定电流: 1.5 A DC;
 - c. 测试电压: 500 V rms;
 - d. 绝缘阻抗: 1000 MΩ Min.;
 - e. 内&外端子阻抗: 40 mΩ Max.。
3. 机械性能:
 - a. 插拔次数: 25 cycles;
 - b. 插入力: ≤60 N, 拔出力: 5 N Min.;
 - c. 卡扣保持力: 110N Min.;
4. 工作温度: -40~105℃;
5. 检验标志: ● 重要尺寸检验;
6. 成品料号及D/O镭雕刻印清晰, 字高1.5~2.5mm, 位置参考图示;
7. 环境有害物质符合欧盟ROHS环保要求。

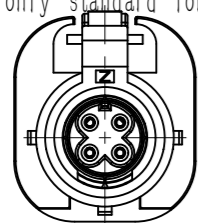


截面 C-C

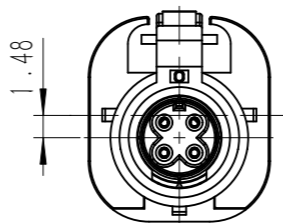


GENERAL TOLERANCE		DRAWN	郭斌	2019-10-10	SCALE	PART NO.	1HSCN02F01P*PV00
X. ±0.35	X° ±1°	CHECKED			5:2	TITLE	厂内装配图
.X ±0.25	.X° ±0.1°	APPROVED			UNITS	mm	HSD 4 Pin Cable PLUG Straight with Second Lock
.XX ±0.15		FILE NO.	HSCN0201F				
.XXX ±0.03		REV.	蘇州祥龍嘉業電子科技股份有限公司 Goldenconn Electronics Technology Co.,LTD				
SHEET	1/2	Q'TY	1	X1			

此文件为双方检验的唯一标准
This document is the only standard for inspection by both parties.



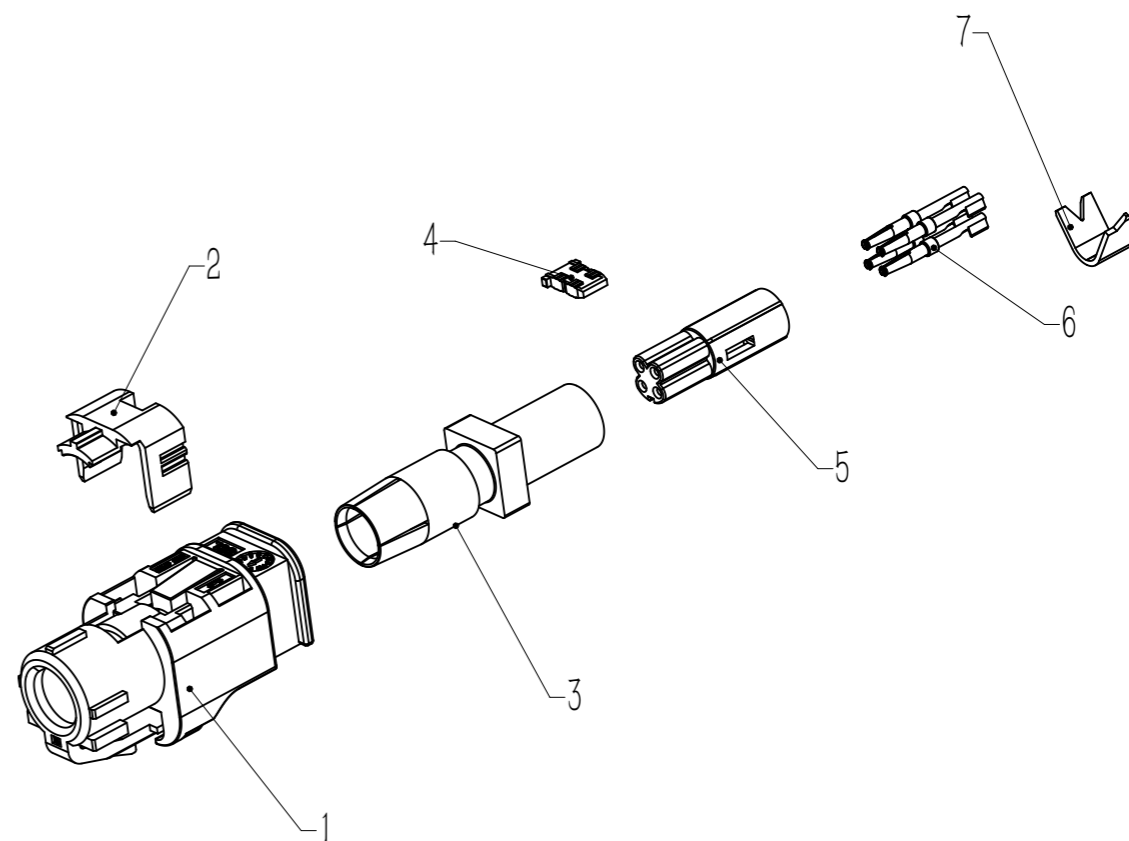
Coding A/B/C/D/E/F/Z



Coding G/H/J/K/L/M/O

TABLE 1

Coding	Plug	Color/Ral-Nr	Part Number	Coding	Plug	Color/Ral-Nr	Part Number
A		Jet Black Ral 9005	1HSCN02F01PAPV00	G		Blue Gray Ral 7031	1HSCN02F01PGPV00
B		Cream White Ral 9001	1HSCN02F01PBPV00	H		Heather Violet Ral 4003	1HSCN02F01PHPV00
C		Signal Blue Ral 5005	1HSCN02F01PCPV00	J		Beige Ral 1001	1HSCN02F01PJPV00
D		Claret Violet Ral 4004	1HSCN02F01PDPV00	K		Curry Ral 1027	1HSCN02F01PKPV00
E		Leaf Green Ral 6002	1HSCN02F01PEPV00	L		Yellow Green Ral 6018	1HSCN02F01PLPV00
F		Nut Brown Ral 8011	1HSCN02F01PPFV00	M		Pastel Orange Ral 2003	1HSCN02F01PMPV00
Z		Water Blue Ral 5021	1HSCN02F01PZPV00	O		Light Green Ral 6027	1HSCN02F01POPV00



Item	Part Name	Part Number	Q'TY	Material	Plating
1	Coding Housing	2HSCN02B0401*-00	1	PBT GF20 RAL SEE TABLE 1	/
2	Second Lock	2HSCN02B04028-00	1	PBT GF20 RAL 4006	/
3	Outer Conductor	3HSCN02MA0001-00	1	C3602	Ni 1.25~5um
4	Inner Lock	2HSCN02B04041-00	1	PA66 GF20 Black	/
5	Insulator	2HSCN02B04030-00	1	PA66 GF20 White	/
6	Inner Conductor	2TPBHSCN02F01-00	4	C5210 R-H	0.025um Min Au over 1.25um Min Ni
7	Crimp	2TCBHSCN02T02-00	1	C2680 R-1/2H	2~3 um Sn

GENERAL TOLERANCE		DRAWN	郭斌	2019-10-11	SCALE	PART NO.	1HSCN02F01P*PV00
X.±0.35	X°.±1°	CHECKED			3:2	TITLE	厂内装配图
.X±0.25	.X°.±0.1°	APPROVED			UNITS	mm	HSD 4 Pin Cable PLUG Straight with Second Lock
.XX±0.15		FILE NO.	HSCN0201F				
.XXX±0.03		REV.	蘇州祥龍嘉業電子科技股份有限公司 Goldenconn Electronics Technology Co.,LTD				
SHEET	2/2	Q'TY	1	X1			

REV.	ECN. NO.	MODIFY. CONTENT	DATE
X1	**	**	2019-10-11