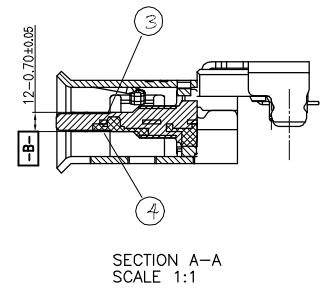
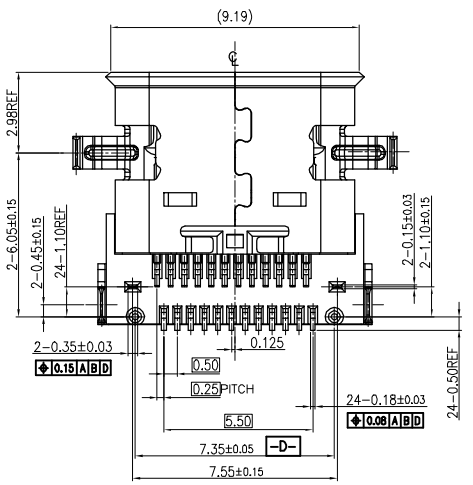
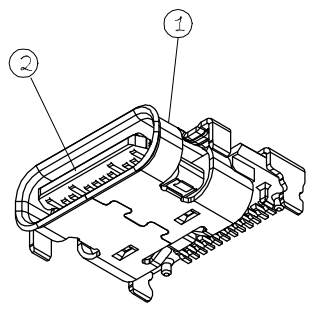
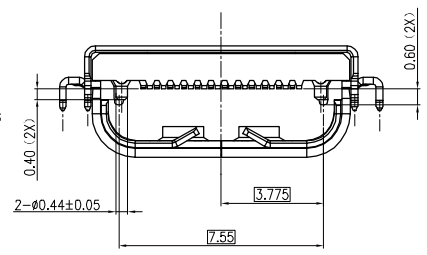
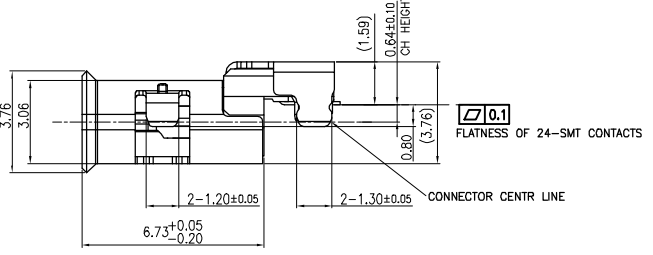
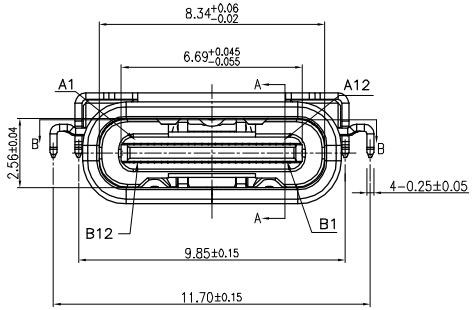
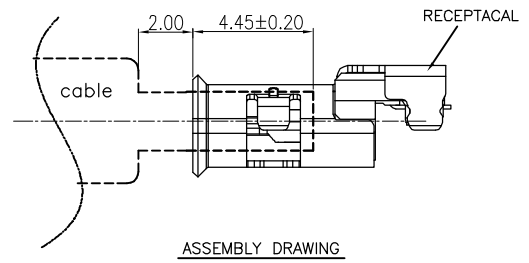
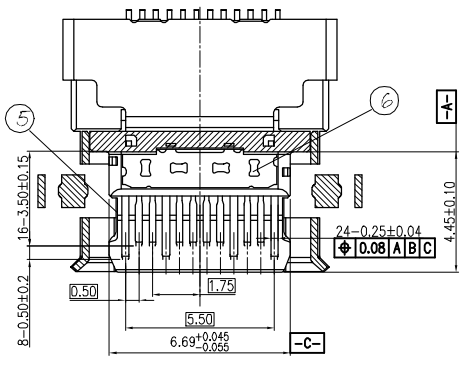
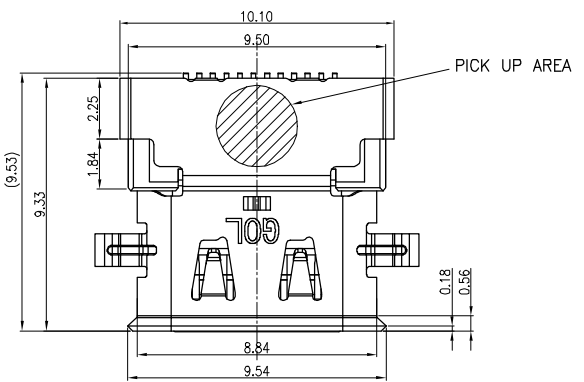


REV.	ECN.NO.	MODIFY.CONTENT	DATE
A	---	FIRST VERSION	6/06'20

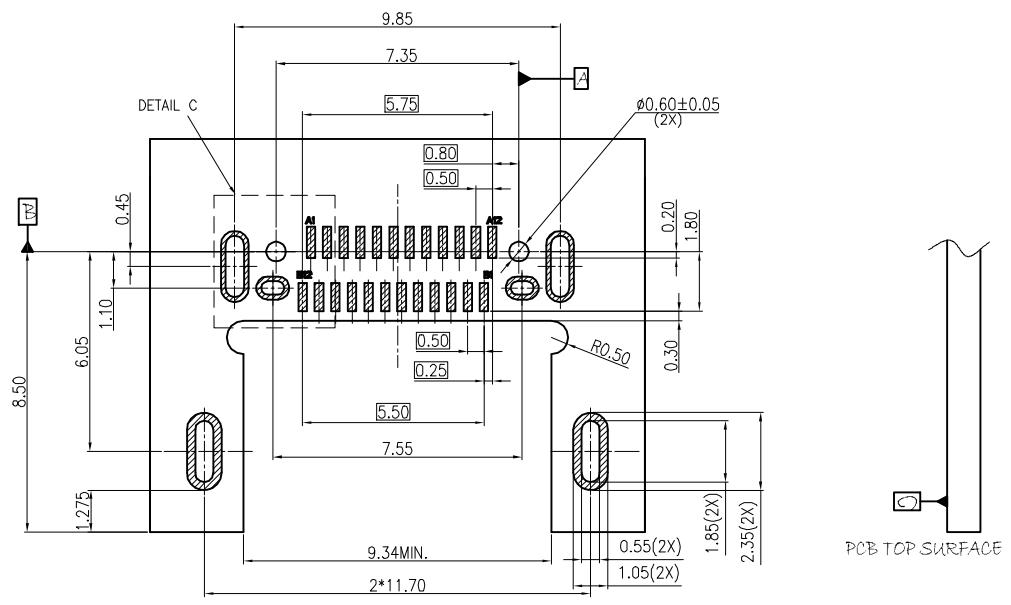
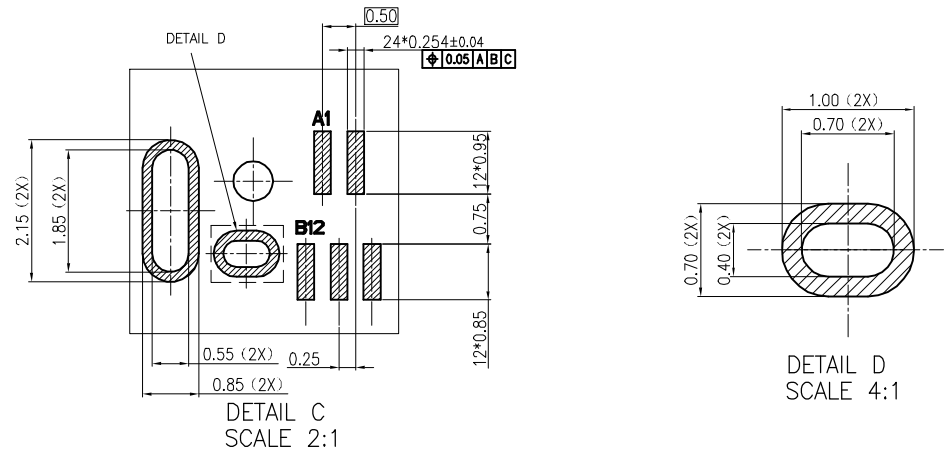


NO.	DESCRIPTION	QTY.	MATERIAL	FINISH
⑥	EMI SPRING	2 PCS	STAINLESS STEEL	NO SURFACE TREATMENT
⑤	MID PLATE	1 PCS	STAINLESS STEEL	NO SURFACE TREATMENT
④	CONTACT B	12 PCS	COPPER ALLOY	50u" MIN. NI UNDER PLATING. 80u" MIN. MATTE TIN PLATING ON SOLDER AREA. GOLD PLATING ON CONTACT AREA.(SEE PART NUM)
③	CONTACT A	12 PCS	COPPER ALLOY	
②	HOUSING	1 PCS	THERMOPLASTIC.	UL94V-0 COLOR: BLACK
①	SHELL	1 PCS	STAINLESS STEEL	Ni 30u" MIN. UNDER PLATED OVER ALL.

GENERAL TOLERANCE		DRAWN	W.H.Su	05/06/20	SCALE	PART NO.	1UBC071F24R1R-HF
X±0.30	x.°±1°	CHECKED	Ray.Lee	05/06/20	N/A	TITLE	TYPE-C REC, CH-0.64mm
.X±0.25	.x.°±0.1°	APPROVED	Murray.Lu	05/06/20	UNITS	mm	CUSTOMER DRAWING
.XX±0.20		File NO.	UBC07101S				
.XXX±0.10		REV.					
SHEET	1/3	QTY	1	A	蘇州祥龍嘉業電子科技股份有限公司 Goldenconn Electronics Technology Co.,LTD		

此文件为双方检验的唯一标准  
This document is the only standard for inspection by both parties

REV.	ECN.NO.	MODIFY.CONTENT	DATE
A	---	FIRST VERSION	6/06'20



SPECIFICATION:

- ELECTRICAL CHARACTERISTICS:
  - CURRENT RATING:
 

A current of 5 A shall be applied collectively to VBUS pins (i.e., pins A4, A9, B4, and B9) and 1.25 A shall be applied to the VCONN pin (i.e., B5 of the plug connector) with the return path through the corresponding GND pins (i.e., pins A1, A12, B1, and B12). A minimum current of 0.25 A shall also be applied individually to all the other contacts.
  - CONTACT RESISTANCE: INITIAL 40 mΩ Max.  
AFTER 50 mΩ Max.
  - DIELECTRIC WITHSTANDING VOLTAGE: 100 VAC r.m.s
  - INSULATION RESISTNACE: 100 MEGOHMS MIN.
- MECHANICAL CHARACTERISTICS
  - INSERTION FORCE: 5~20N
  - EXTRACTION FORCE: Initial:8~20N;Durability:6~20N(1000cycles);
  - DURABILITY:10,000CYCLES
- ENVIRONMENTAL CHARACTERISTICS
  - TEMPERATURE RANGE: -40 °C ~ 85 °C
  - RECOMMENED PROCESS: IR REFLOW 260°C 10 SECONDS .
- PART NO.:
 

1UBC071 \* 24R1R-HF

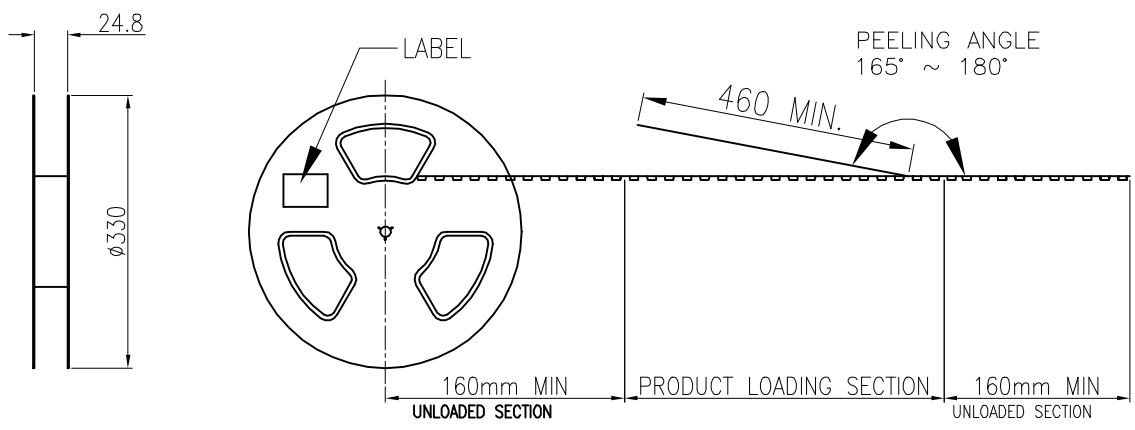
HF:HALOGEN FREE

PLATING CODE:  
F:GOLD FLASH(1u" min.)  
E:Au:5u"  
J:Au:15u"  
K:Au:30u"

PIN ASSIGNMENT FOR DIRECT CONNECT APPLICATIONS											
A1	A2	A3	A4	A5	A6	A7	A8	A9	A10	A11	A12
GND	TX1+	TX1-	VBUS	CC1	D+	D-	SUB1	VBUS	RX2-	RX2+	GND
GND	RX1+	RX1-	VBUS	SBU2	D-	D+	CC2	VBUS	TX2-	TX2+	GND
B12	B11	B10	B9	B8	B7	B6	B5	B4	B3	B2	B1

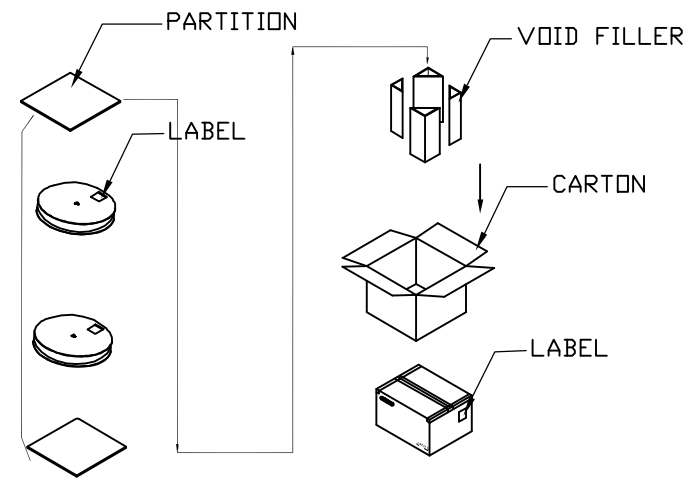
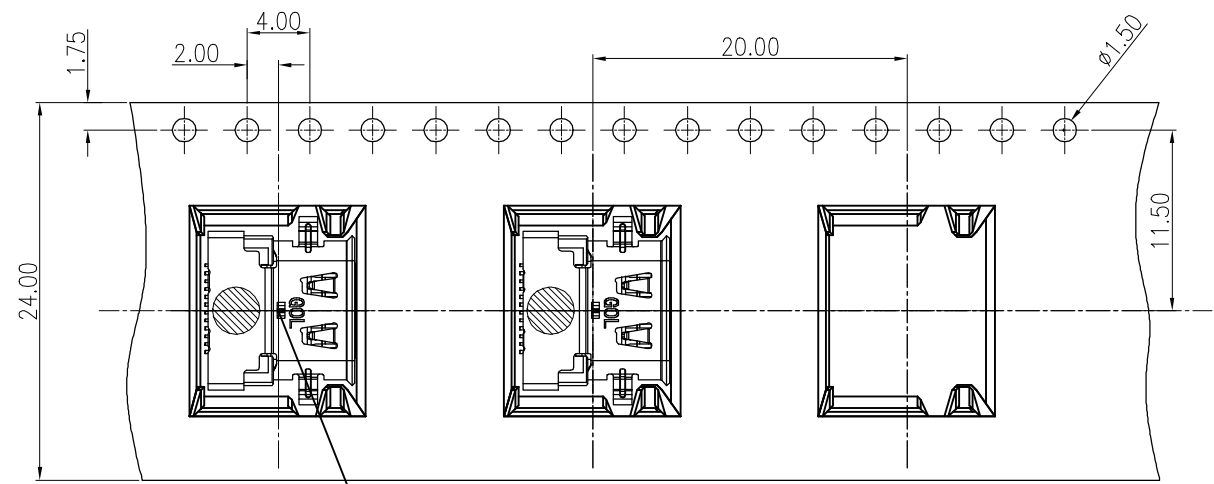
GENERAL TOLERANCE	DRAWN	W.H.Su	05/06'20	SCALE	PART NO.	1UBC071F24R1R-HF
X.±0.30	x.±1°	CHECKED	Ray.Lee	05/06'20	TITLE	TYPE-C REC, CH-0.64mm
.X±0.25	.x'±0.1°	APPROVED	Murray.Lu	05/06'20	UNITS	mm
.XX±0.20		File NO.	UBC07101S			
.XXX±0.10		REV.				
SHEET	2/3	Q'TY	1	A	蘇州祥龍嘉業電子科技股份有限公司 Goldenconn Electronics Technology Co.,LTD	

REV.	ECN.NO.	MODIFY.CONTENT	DATE
A	---	FIRST VERSION	06/06'20



- NOTES :
- MATERIAL :  
COVER TAPE : P.S T=0.05mm  
CARRIER TAPE : P.S T=0.40mm  
CARTON: CORRUGATED FIBER
  - DIMENSION :  
REEL : SEE DRAWING  
SHIPPING BOX: 350X350X300mm
  - QUANTITY : SEE TABLE
  - PEELING RESISTANCE : 10gf~130gf (for 12~56mm)
  - PEELING SPEED : 300mm/MINUTES

PULL OUT DIRECTION  
→



700	8	5600
PCS/REEL	REEL/BOX	TOTAL Q'TY

GENERAL TOLERANCE		DRAWN	WeiHong.Su	05/06'20	SCALE	PART NO.	1UBC071F24R1R-HF
X.±0.40	x.±1°	CHECKED	Ray.Lee	05/06'20	N/A	TITLE	TYPE-C REC, CH-0.64mm
.X±0.30	.x'±0.1°	APPROVED	Murray.Lu	05/06'20	UNITS	mm	CUSTOMER DRAWING
.XX±0.25		File NO.	UBC07101S				
.XXX±0.10		REV.	蘇州祥龍嘉業電子科技股份有限公司 Goldennconn Electronics Technology Co.,LTD				
SHEET	3/3	Q'TY	1	A			

此文件为双方检验的唯一标准  
This document is the only standard for inspection by both parties