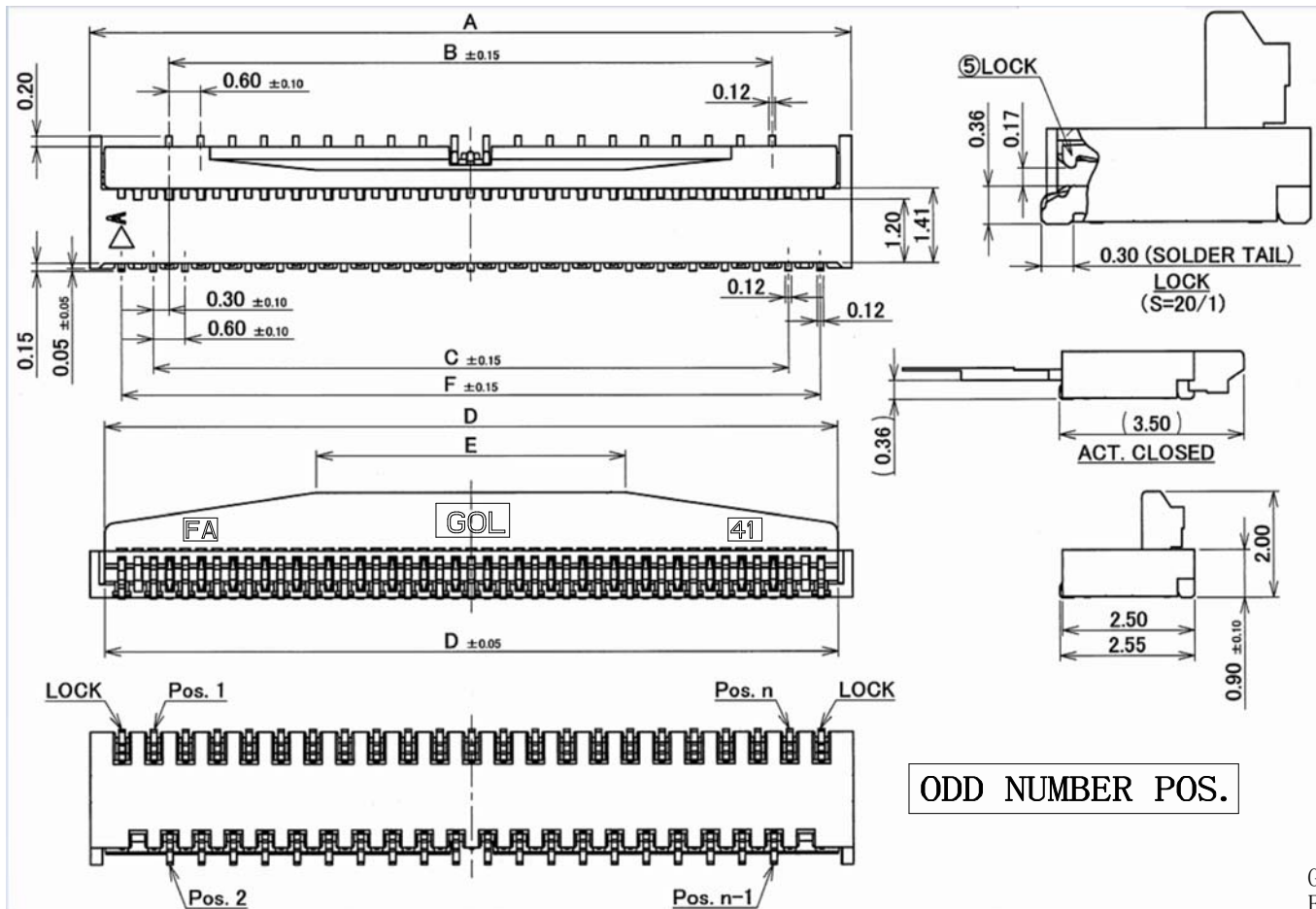


REV.	ECN.NO.	MODIFY.CONTENT	DATE
A		FIRST VERSION	04/12' 19
B		Modify Housing	07/12' 19

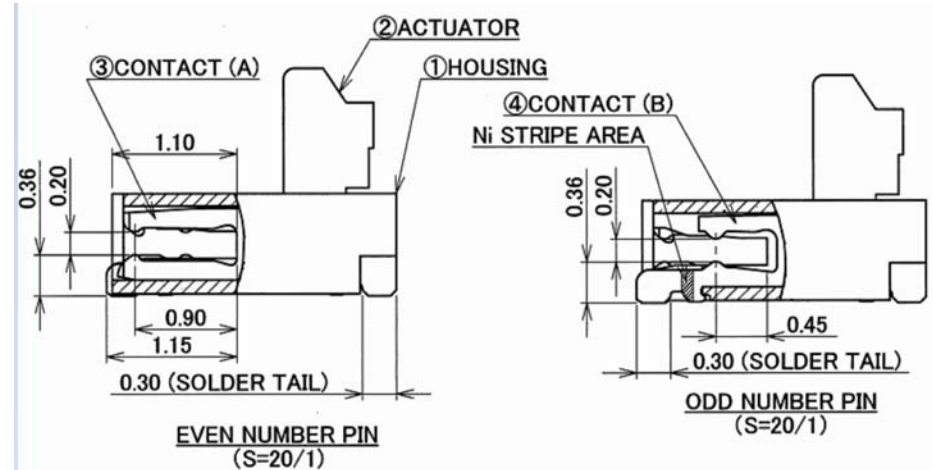


Pos.	A	B	C	D	E	F
29P	10.80	7.80	8.40	10.25	6.25	9.60
31P	11.40	8.40	9.00	10.85	6.85	10.20
35P	12.60	9.60	10.20	12.05	8.05	11.40
37P	13.20	10.20	10.80	12.65	4.65	12.00
39P	13.80	10.80	11.40	13.25	5.25	12.60
41P	14.40	11.40	12.00	13.85	5.85	13.20
45P	15.60	12.60	13.20	15.05	7.05	14.40
47P	16.20	13.20	13.80	15.65	7.65	15.00
51P	17.40	14.40	15.00	16.85	8.85	16.20
53P	18.00	15.00	15.60	17.45	9.45	16.80
57P	19.20	16.20	16.80	18.65	10.65	18.00
61P	20.40	17.40	18.00	19.85	11.85	19.20
63P	21.00	18.00	18.60	20.45	8.45	19.80
71P	23.40	20.40	21.00	22.85	10.85	22.20

ODD NUMBER POS.

NOTES:
 Current Rating: 0.2A AC/DC
 Voltage Rating: 50V AC/DC Max
 Temperature Range: -30°C~+85°C
 Contact Resistance: 80 mΩ Max
 Insulation Resistance: 100 MΩ Min
 Withstanding Voltage: 250V AC/minute

Gold plating: F:1u" min
 PIN number: 1F03014 F ** C 0 3 -**
 00:Rohs
 HF:HALOGEN FREE
 Reel packing
 Natural color



NO.	DISCRIPTION	MATERIAL	FINISH , REMARKS
5	LOCK	PHOSPHOR BRONZE	SOLDERING AREA : Au 0.03 μm MIN. OVER Ni 1.00 μm MIN.
4	CONTACT (B)	PHOSPHOR BRONZE	SEE TABLE 1, WITH Ni STRIPE
3	CONTACT (A)	PHOSPHOR BRONZE	SEE TABLE 1
2	ACTUATOR	LCP	UL94V-0, BEIGE
1	HOUSNIG	LCP	UL94V-0, BEIGE

GENERAL TOLERANCE		DRAWN	SCALE	PART NO.	1F03014F**C03-**
X.±0.30	x.*±3.0°	CHECKED	8/1	TITLE	0.3PITCH 0.9H FPC
.X±0.25	.x*±2.0°	APPROVED	UNITS	mm	CUSTOMER DRAWING
.XX±0.20		File NO.	P0301401S		
.XXX±0.10		REV.			

此文件为双方检验的唯一标准
 This document is the only standard for inspection by both parties.

蘇州祥龍嘉業電子科技股份有限公司
 Goldenconn Electronics Technology Co.,LTD

SHEET	1/5	Q'TY	1	B
-------	-----	------	---	---