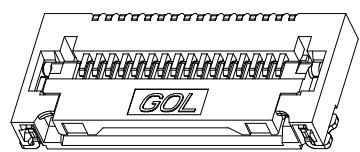
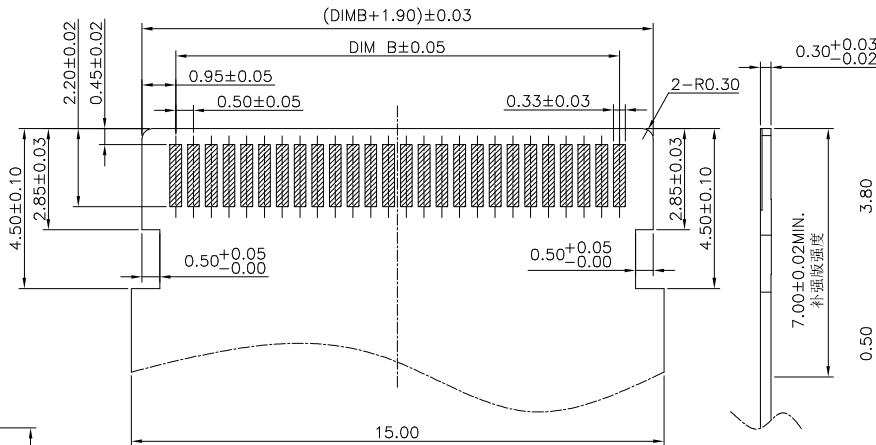
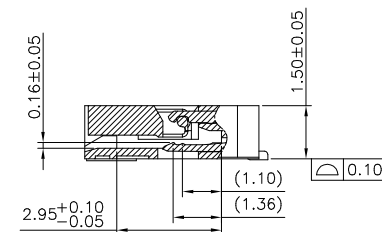
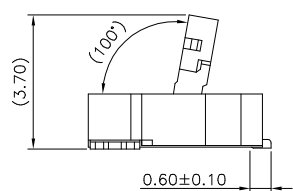
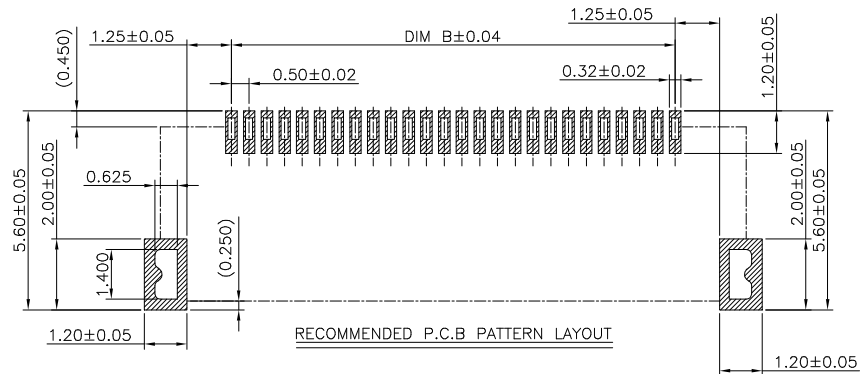
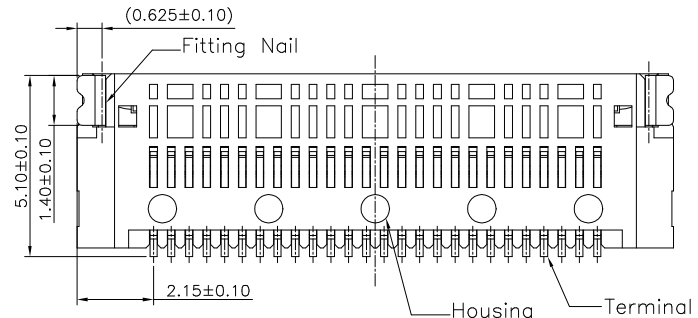
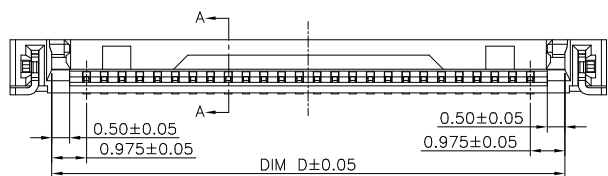
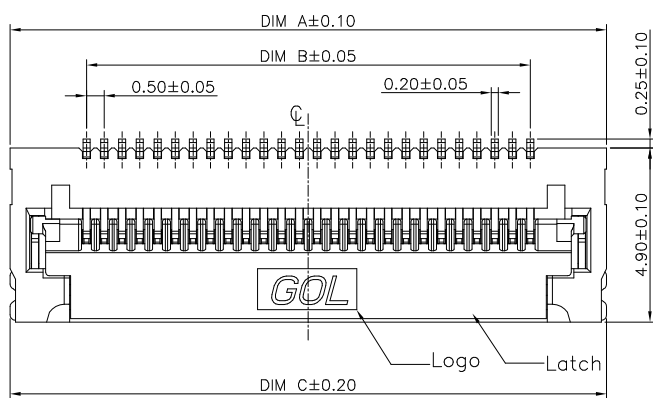
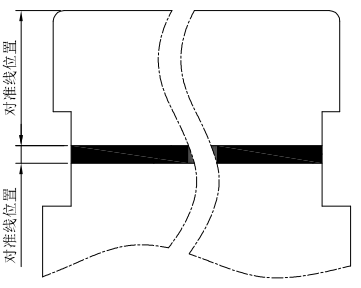


REV.	ECN.NO.	MODIFY.CONTENT	DATE
A		初版发行	11/06' 19



Note:  
 1. Material:  
 1.1 Housing: thermoplastic high temp.UL94V-0; Color: natural/black.  
 1.2 Latch: thermoplastic high temp.UL94V-0; Color: black.  
 1.3 Terminal: copper alloy.  
 1.4 Fitting Nail: copper alloy.  
 2. Finish:  
 2.1 Terminal Underplating: Gold flash overall.  
 3. Product must comply HF RoHS specification.  
 4. Rating:  
 4.1: Operating Voltage: 50V AC/DC.  
 4.2: Current Rating: 1.0A AC/DC.  
 4.3: Contact Resistance: 30mΩ MAX.  
 4.4: Insulation Resistance: 100MΩ MIN AT 500V DC.  
 4.5: Withstanding Voltang: 250V AC/Minute.  
 4.6: Operating Temperature:-25°C~+85°C.  
 5. Product No:

1 F05065 \*\* C \* 3 - \*\*  
 SERIES NUMBER CKTS PACKING  
 F:Gold flash 1:Tube  
 U:Gold flash 2u" 3:Tape&Reel  
 H:Gold flash 3u" COLOUR  
 1:Black  
 0:White



No. of Contacts	Dimension			
	A	B	C	D
12	9.80	5.50	9.80	7.45
16	11.80	7.50	11.80	9.45
26	16.80	12.50	16.80	14.45

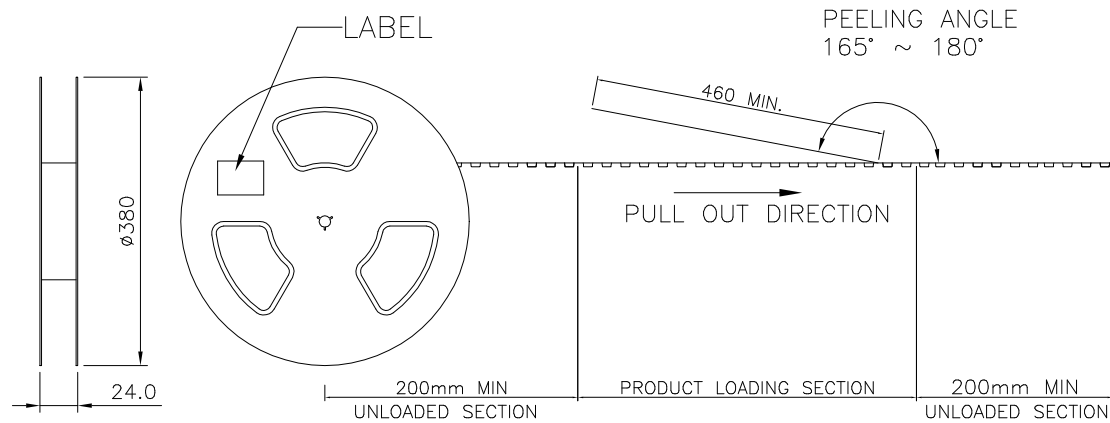
RECOMMENDED FPC/FFC DIMENSION

GENERAL TOLERANCE	DRAWN	Bin.Liu	10/15'20	SCALE	PART NO.	1F05065***C03-**
x.±0.30	x.'±1°	CHECKED	Shengjie.Chu	10/15'20	TITLE	0.5 Pitch H=1.50 FPC
.x±0.25	.x'±0.1°	APPROVED	Cunfa.Lai	10/15'20	UNITS	mm
.xx±0.20		File NO.	F0506501S			
.xxx±0.10		REV.				
SHEET	1/2	Q'TY	1	A	蘇州祥龍嘉業電子科技股份有限公司 Goldenconn Electronics Technology Co.,LTD	

注：此文件为双方检验的唯一标准  
 This document is the only standard for inspection by both parties.

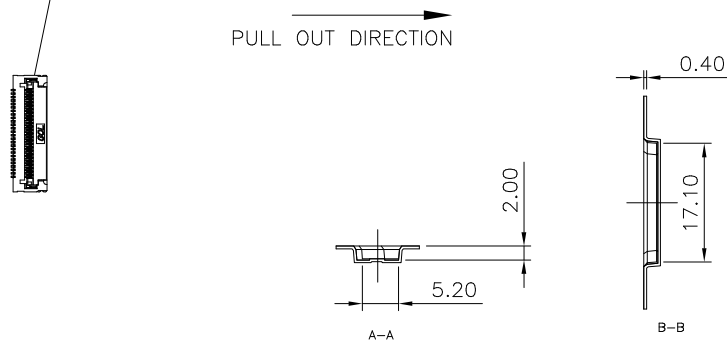
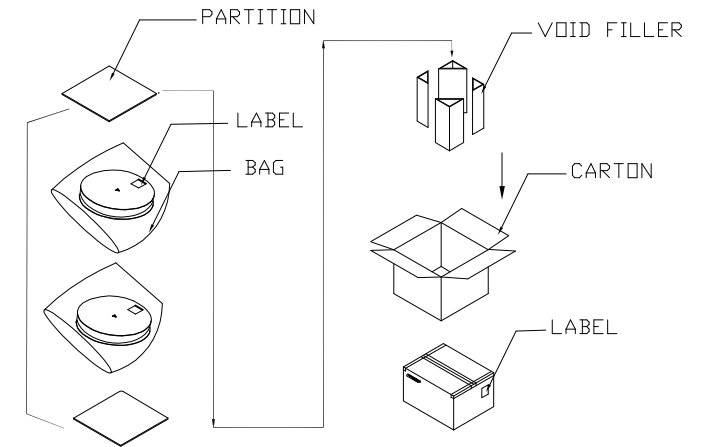
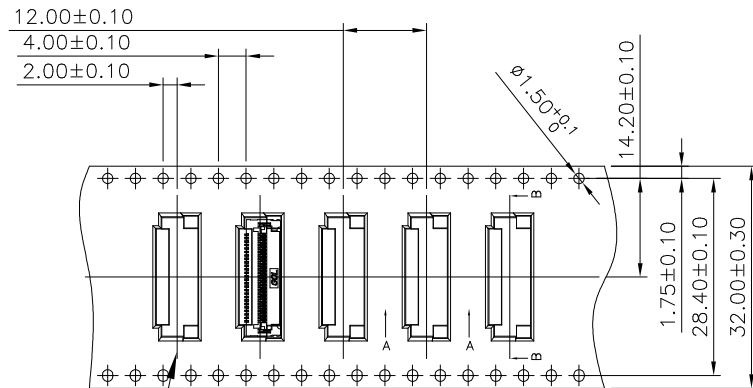
成品SPEC图

REV.	ECN.NO.	MODIFY.CONTENT	DATE
A		初版发行	10/16'20



NOTES :

- MATERIAL :  
COVER TAPE : T=0.05  
CARRIER TAPE : T=0.35  
CARTON: CORRUGATED FIBER
- DIMENSION :  
REEL : 3000PCS/REEL,30000PCS/BOX  
SHIPPING BOX: 400X400X300mm
- QUANTITY : SEE TABLE
- PEELING RESISTANCE : 30gf~100gf (for 12~56mm)



GENERAL TOLERANCE		DRAWN	Bin.Liu	10/15'20	SCALE	PART NO	1F05065***C**_**
X.±0.30	x.°±3°	CHECKED	Shengjie.Chu	10/15'20	N/A	TITLE	0.5PITCH H=1.5 FPC CONN
.X±0.25	.X'±2'	APPROVED	Cunfa.Lai	10/15'20	UNITS	mm	CUSTOMER DRAWING
.XX±0.20		File NO.	F0506501S				
.XXX±0.10		REV.	蘇州祥龍嘉業電子科技股份有限公司				
SHEET	2/2	Q'TY	1	A	Goldenconn Electronics Technology Co.,LTD		