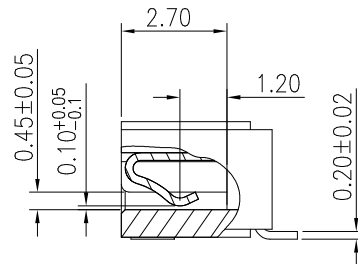
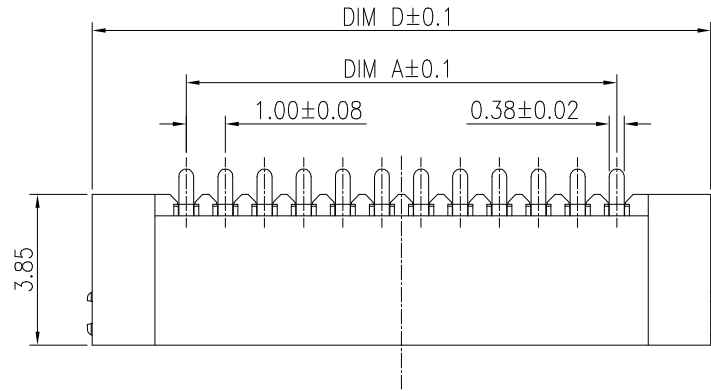
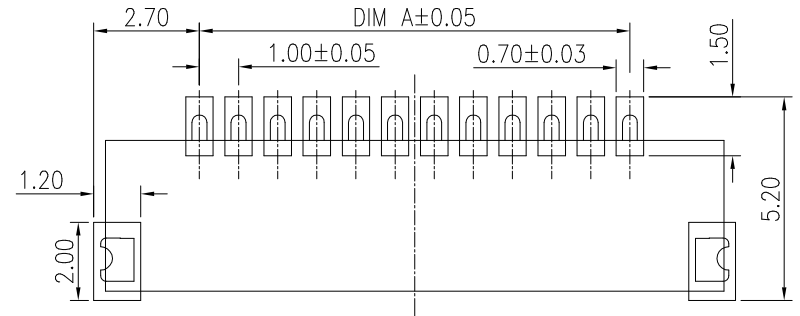


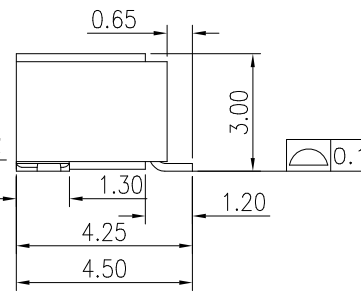
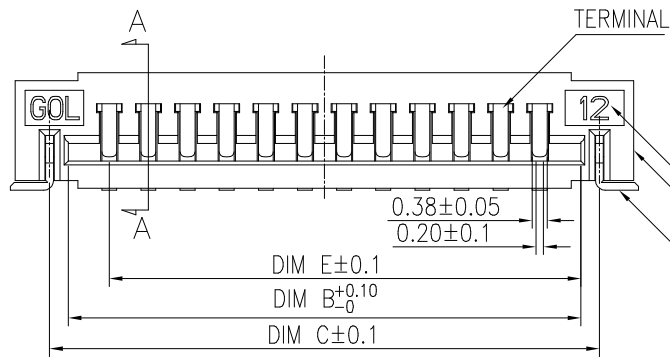
| REV. | ECN.NO. | MODIFY.CONTENT               | DATE     |
|------|---------|------------------------------|----------|
| A    |         | THE FIRST VERSION            | 03/07'18 |
| B    |         | Add normal force $\triangle$ | 12/16'20 |



SECTION A-A



RECOMMENDED PCB LAYOUT



MECHANICAL:

- 1.Base: Thermoplastic ;UL94V-0 (Color: Black )
- 2.Terminal material and plating:Copper Alloy,Tin or gold plated over nickel.
- 3.Peg material and plating: Alloy,Tin plated over nickel.
- 4.Contact Normal Force:100gMin per pin(Pushing Distance:0.10mm).

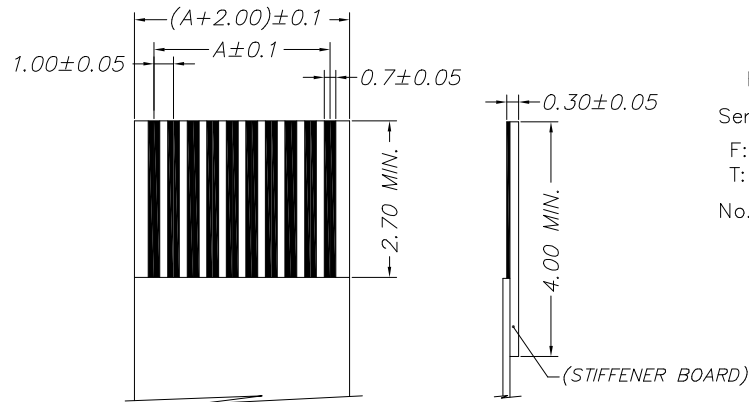
ELECTRICAL:

- 1.Current Rating: 0.5A AC DC
- 2.Voltage Rating: 50V AC DC
- 3.Contact Resistance:30 mΩ Max
- 4.Insulation Resistance:500MΩ Min
- 5.Withstanding Voltage:250V AC/minute

ENVIRONMENTAL:

- 1.Operating Temperature Range : -25°C+85°C
  - 2.Storage Temperature Range : -10°C+40°C
- Humidity : 80% max

|                 | 21 | 20.0 | 22.1 | 23.05 | 24.8 | 21.05 |
|-----------------|----|------|------|-------|------|-------|
|                 | 20 | 19.0 | 21.1 | 22.05 | 23.8 | 20.05 |
|                 | 19 | 18.0 | 20.1 | 21.05 | 22.8 | 19.05 |
|                 | 18 | 17.0 | 19.1 | 20.05 | 21.8 | 18.05 |
|                 | 17 | 16.0 | 18.1 | 19.05 | 20.8 | 17.05 |
|                 | 16 | 15.0 | 17.1 | 18.05 | 19.8 | 16.05 |
|                 | 15 | 14.0 | 16.1 | 17.05 | 18.8 | 15.05 |
|                 | 14 | 13.0 | 15.1 | 16.05 | 17.8 | 14.05 |
|                 | 13 | 12.0 | 14.1 | 15.05 | 16.8 | 13.05 |
|                 | 12 | 11.0 | 13.1 | 14.05 | 15.8 | 12.05 |
|                 | 11 | 10.0 | 12.1 | 13.05 | 14.8 | 11.05 |
|                 | 10 | 9.0  | 11.1 | 12.05 | 13.8 | 10.05 |
|                 | 9  | 8.0  | 10.1 | 11.05 | 12.8 | 9.05  |
|                 | 8  | 7.0  | 9.1  | 10.05 | 11.8 | 8.05  |
|                 | 7  | 6.0  | 8.1  | 9.05  | 10.8 | 7.05  |
|                 | 6  | 5.0  | 7.1  | 8.05  | 9.8  | 6.05  |
|                 | 5  | 4.0  | 6.1  | 7.05  | 8.8  | 5.05  |
| NO. OF CONTACTS | A  | B    | C    | D     | E    |       |



APPLICABLE FFC RECOMMENDED DIMENSION

1 F 10020 \* \*\* H \* \* 0 \*\*

FPC Type  
 Serial number  
 F: Gold flash  
 T: Matte Tin flash  
 No. of circuits

00:Rohs  
 HF: Halogen free  
 2: With mylar & Reel packing  
 3: Without mylar & Reel packing  
 0: Natural  
 1: Black

| GENERAL TOLERANCE |        | DRAWN    | XIAOHUI.SONG | 09/27'17 | SCALE   | PART NO. | 1F10020***H**0**                            |
|-------------------|--------|----------|--------------|----------|---|----------|---|
| X.±0.30           | x.'±3° | CHECKED  | QUNYU.LI     | 09/27'17 | N/A   | TITLE    | 1.0 PITCH FPC CONNECTOR<br>3.0H TOP CONTACT |
| .X±0.25           | .x'±2° | APPROVED | SKY          | 09/27'17 | UNITS   | mm       | CUSTOMER DRAWING                            |
| .XX±0.20          |        | File NO. | F1002001S    |          |   |          |   |
| .XXX±0.10         |        | REV.     |              |          |   |          |   |
| SHEET             | 1/1    | Q'TY     | 1            | B        | 蘇州祥龍嘉業電子科技股份有限公司<br>Goldenconn Electronics Technology Co.,LTD |          |   |