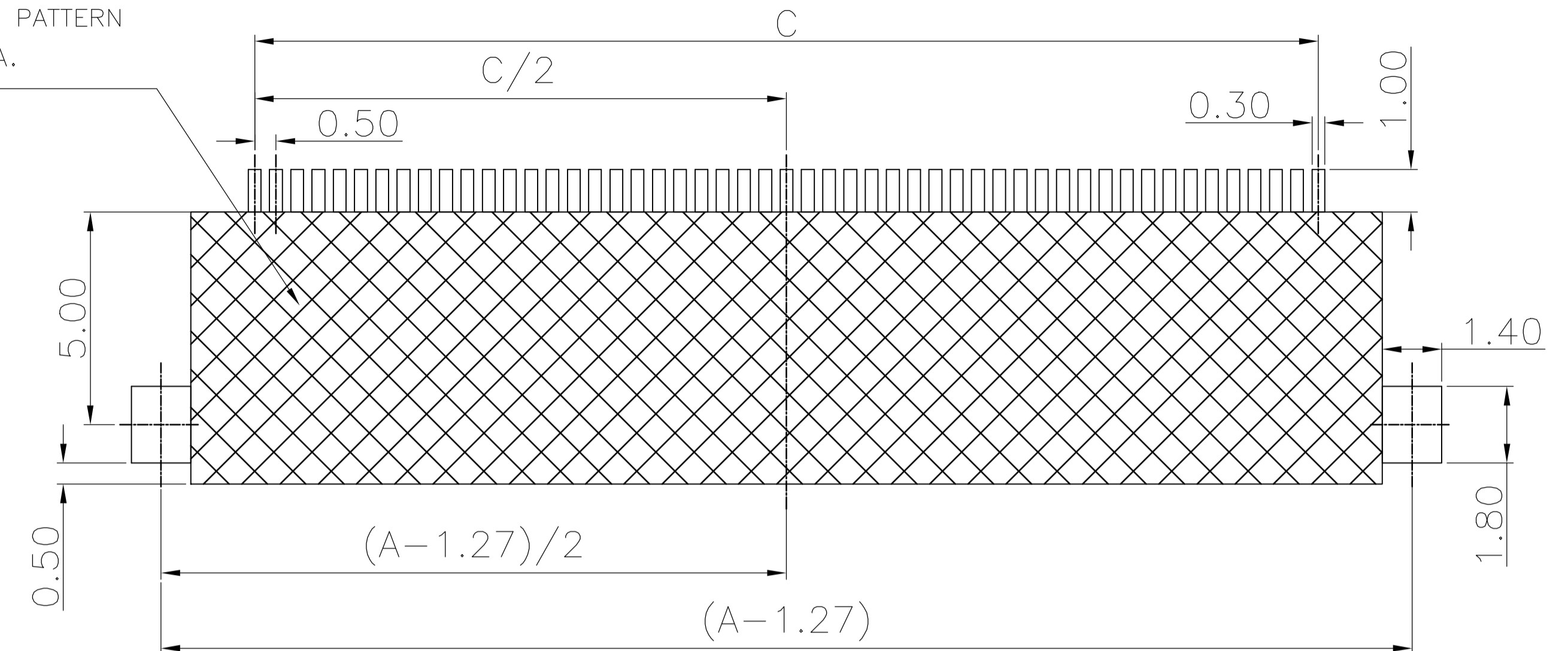
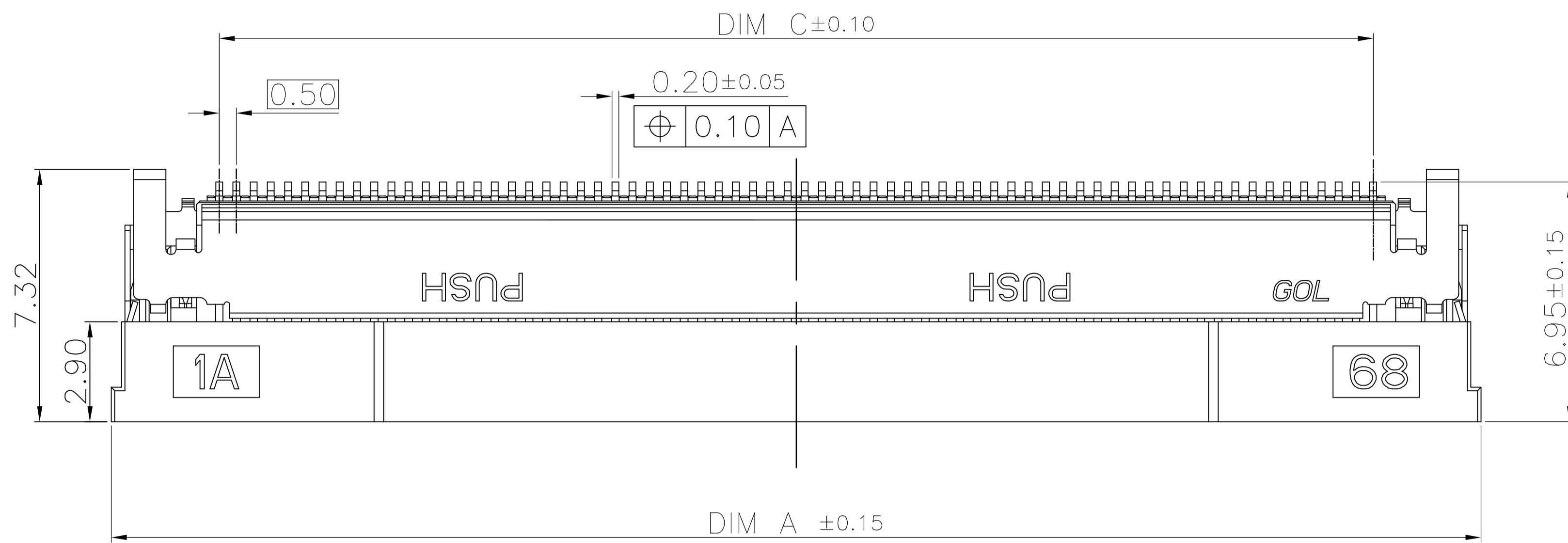


REV.	ECN.NO.	MODIFY.CONTENT	DATE
A	---	FIRST VERSION	06/24' 19
B	GE2004022	RENEW PART NO	04/22' 20

SOLDER RESIST SHALL BE COATED
IN CASE OF RUNNING TRACES ON
THIS FOOT PRINT PATTERN
PROHIBITION AREA.



RECOMMEND PCB LAYOUT
DEFAULT TOL:±0.05

NOTES:

- Insulator: LCP , UL 94V-0
- Shell: STAINLESS STEEL/Tin-Plated
- Terminal: PHOSPHOR COPPER/Au-Plated
- Current Rating: 0.5A AC,DC
- Voltage Rating: 50V AC,DC
- Temperature range: -40°C~+85°C
- Contact resistance: 60mΩ Max
- Insulation resistance: 100MΩ Min
- Withstand voltage: 250V,AC/minute

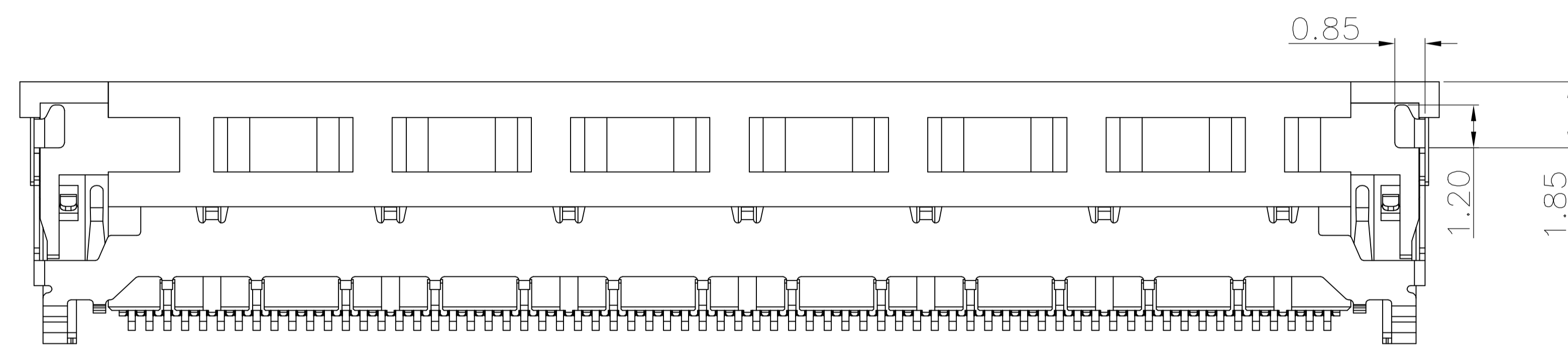
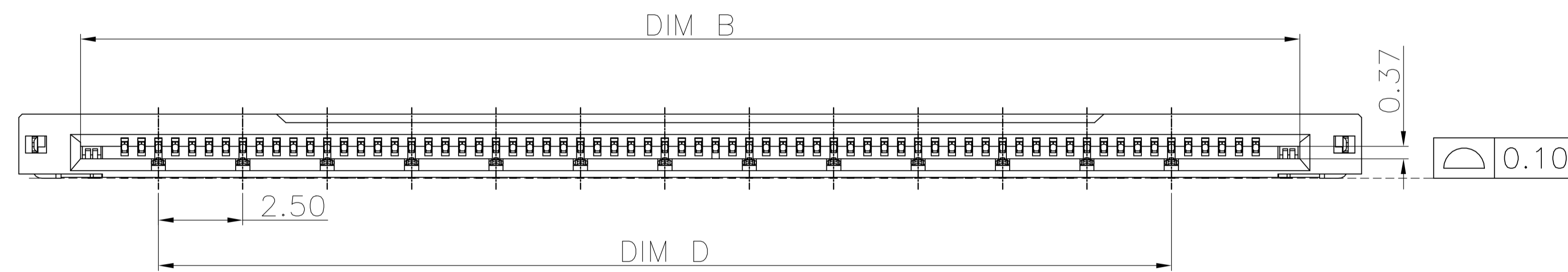


TABLE OF DIM.

POS.	A	B	C	D
68	39.77	36.10	33.50	30.00
60	35.77	32.10	29.50	27.50
51	31.27	27.60	25.00	22.50
41	26.27	22.60	20.00	17.50
40	25.77	22.10	19.50	17.50
30	20.77	17.10	14.50	12.50
28	19.77	16.10	13.50	12.50
20	15.77	12.10	9.50	7.50
16	13.77	10.10	7.50	5.00
15	13.27	9.60	7.00	5.00
12	11.77	8.10	5.50	2.50
10	10.77	7.10	4.50	2.50

1 F 05063 * ** C 1 3 - HF

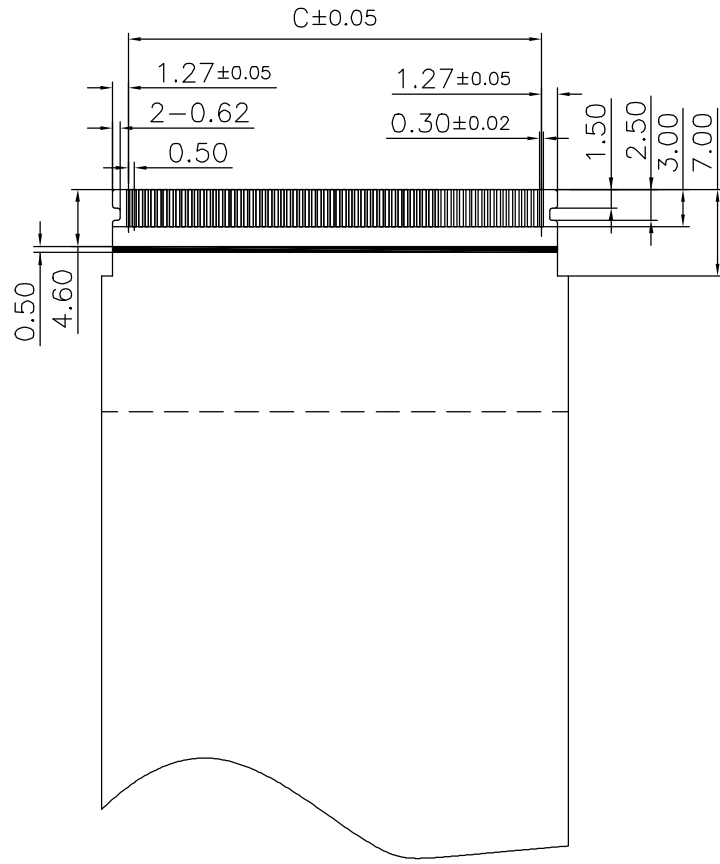
- FPC Type
- Serial number
- F: Gold flash
- T: Matte Tin flash
- PIN NO.
- HF: No Halogen
- 3: Without mylar & Reel packing
- 1: BLACK

GENERAL TOLERANCE		DRAWN	JON XIA	04/22'20	SCALE	PART NO.	1F05063F**C13-HF
X.±0.30	x.°±3°	CHECKED	SHENJIE CHU	04/22'20	1/1	TITLE	0.5 Pitch H=1.9 Auto-Lock FPC
.X±0.25	.x°±2°	APPROVED	CUNFA LAI	04/22'20	UNITS	mm	CUSTOMER DRAWING
.XX±0.20		File NO.	F05063F01S				
.XXX±0.10		REV.					
SHEET	1/3	Q'TY	1	B			

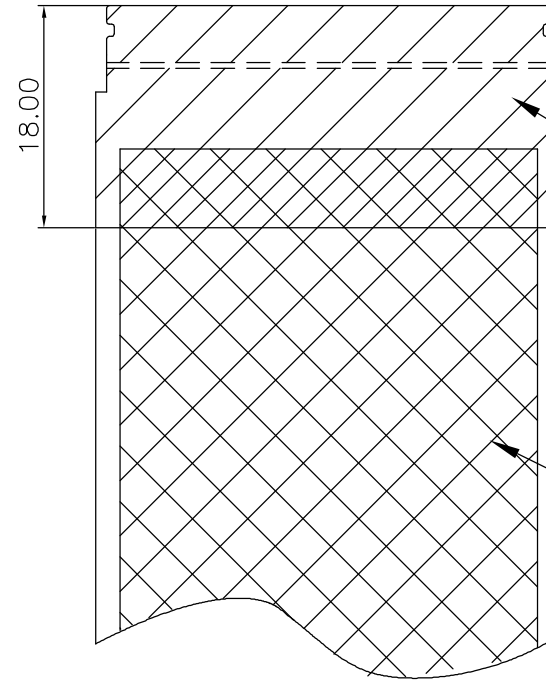
蘇州祥龍嘉業電子科技股份有限公司
Goldenconn Electronic Technology Co.,LTD

此文件为双方检验的唯一标准
This document is the only standard for inspection by both parties.

REV.	ECN.NO.	MODIFY.CONTENT	DATE
A	---	FIRST VERSION	06/24' 19
B	GE2004022	RENEW PART NO	06/24' 19



0.32±0.05



Reinforcing Plate:
Metal Aluminum Foil

Electric Conduction
Aluminum Foil

RECOMMENDED FFC DIMENSION

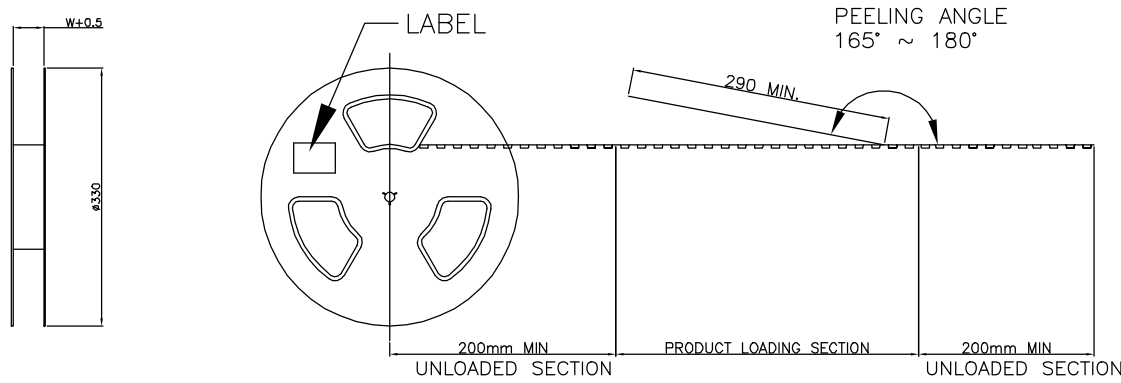
GENERAL TOLERANCE		DRAWN	JON XIA	04/22'20	SCALE	PART NO.	1F05063F**C13-HF
X.±0.30	x.*±3*	CHECKED	SHENJIE CHU	04/22'20	1/1	TITLE	0.5 Pitch H=1.9 Auto-Lock FPC
.X±0.25	.x.*±2*	APPROVED	CUNFA LAI	04/22'20	UNITS	mm	CUSTOMER DRAWING
.XX±0.20		File NO.	F05063F01S				
.XXX±0.10		REV.	蘇州祥龍嘉業電子科技股份有限公司 Goldenconn Electronic Technology Co.,LTD				
SHEET	2/3	Q'TY					

此文件为双方检验的唯一标准
This document is the only standard for inspection by both parties.

REV.	ECN.NO.	MODIFY.CONTENT	DATE
A	---	FIRST VERSION	06/24' 19
B	GE2004022	RENEW PART NO	06/24' 19

NOTES :

- MATERIAL :
COVER TAPE : P.S T=0.05mm
CARRIER TAPE : P.S T=0.35mm
CARTON: CORRUGATED FIBER
- DIMENSION :
REEL : SEE DRAWING
SHIPPING BOX: 350X350X300mm
- QUANTITY : SEE TABLE
- PEELING RESISTANCE : 10gf~130gf
- PEELING SPEED : 300mm/MINUTES



USER DIRECTION OF UNREELING →

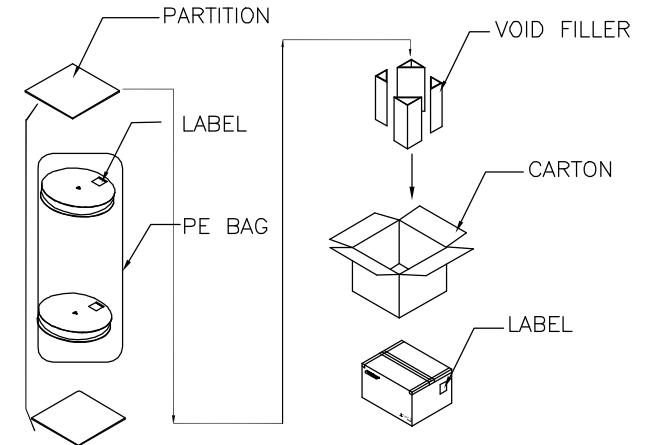
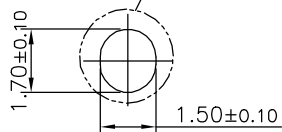
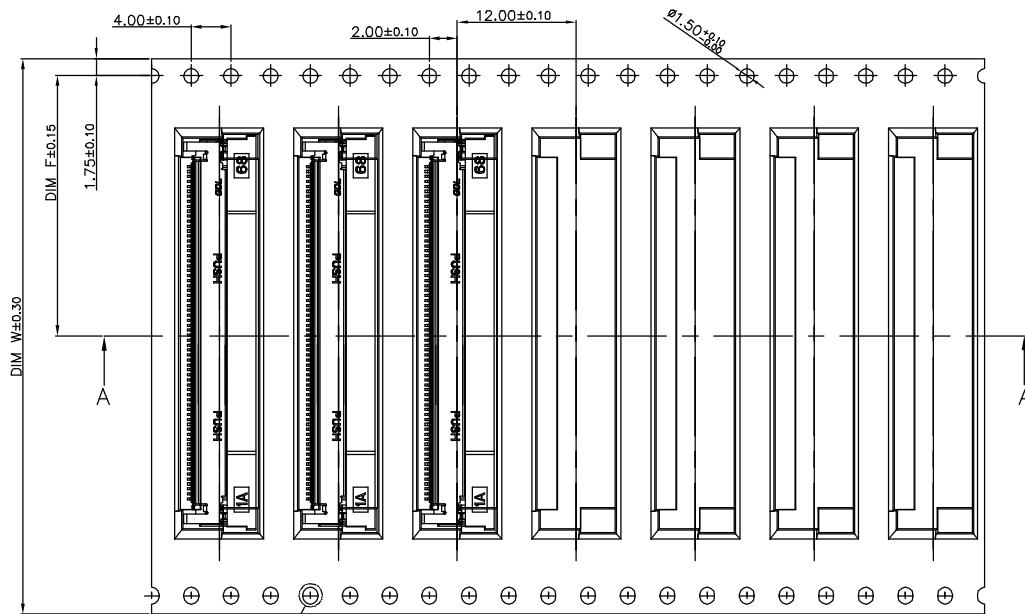


TABLE OF DIM.

POS.	PCS/REEL	BOX/REEL	DIM W	DIM F
68	2000	8000	56	26.20
61	2000	8000	56	26.20
51	2000	10000	44	20.20
41	2000	10000	44	20.20
40	2000	10000	44	20.20
30	2000	14000	32	14.20
28	2000	14000	32	14.20
20	2000	18000	24	10.20
16	2000	18000	24	10.20
15	2000	18000	24	10.20
12	2000	18000	24	10.20
10	2000	18000	24	10.20

GENERAL TOLERANCE		DRAWN	JON XIA	04/22'20	SCALE	PART NO.	1F05063F**C13-HF
X.±0.30	x.±3°	CHECKED	SHENJIE CHU	04/22'20	1/1	TITLE	0.5 Pitch H=1.9 Auto-Lock FPC
.X±0.25	.x°± 2°	APPROVED	CUNFA LAI	04/22'20	UNITS	mm	CUSTOMER DRAWING
.XX±0.20		File NO.	F05063F01S				
.XXX±0.10		REV.					
SHEET	3/3	Q'TY	1	B	蘇州祥龍嘉業電子科技股份有限公司 Goldenconn Electronic Technology Co.,LTD		

此文件为双方检验的唯一标准
This document is the only standard for inspection by both parties.