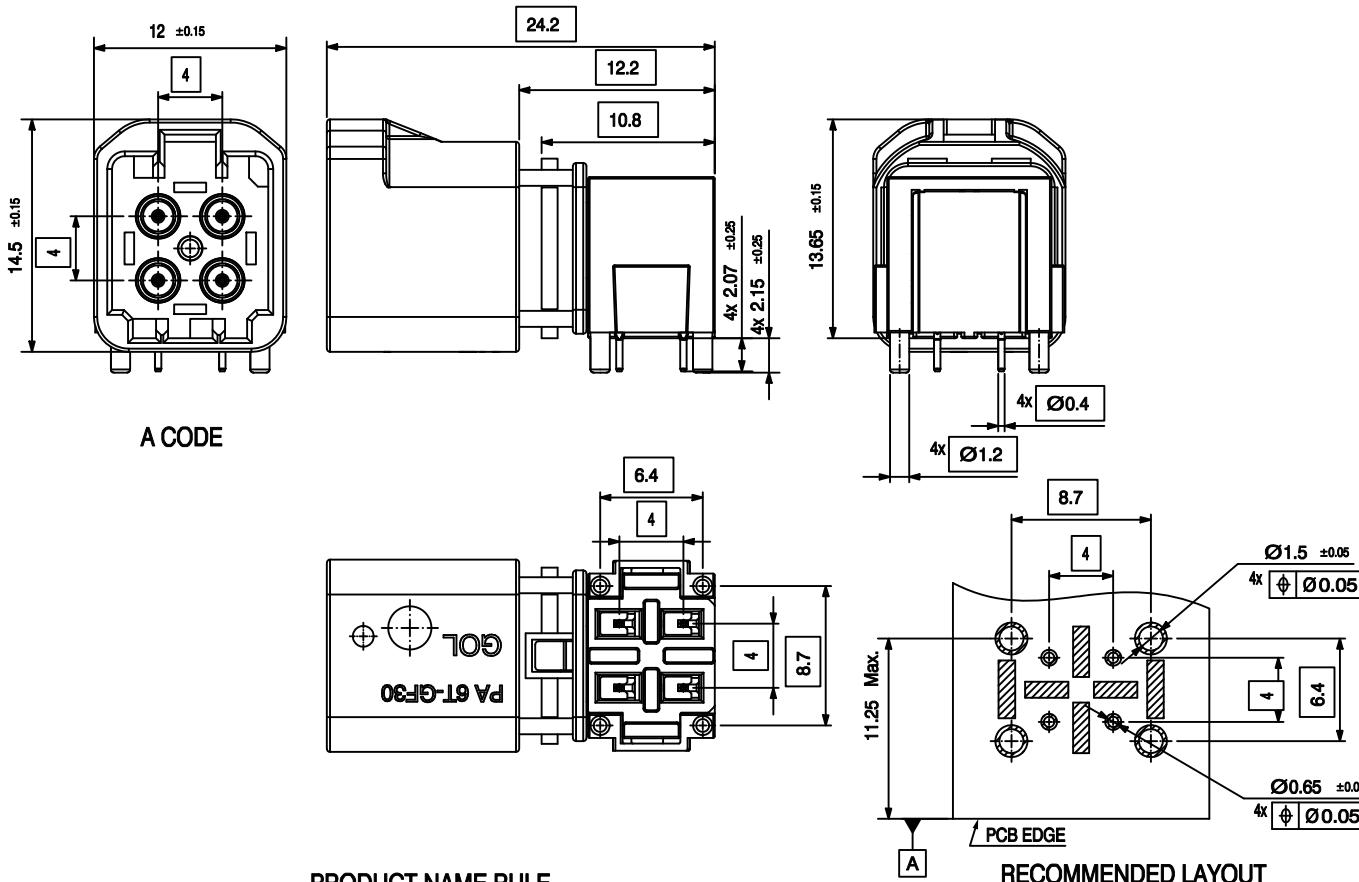


此文件为双方检验的唯一标准
This document is the only standard for inspection by both parties.

REV.	ECN.NO.	MODIFY.CONTENT	DATE
X1		/	10/25'19
X2		Revised the note.	1/17'20

CODE NORMAL ORIENTATION
Shown: 1FMBN04EU4RA3RHF



NOTE:

1. ELECTRICAL DATA

IMPEDANCE 50 ±5Ω
 FREQUENCY DC to 9 GHz
 RETURN LOSS ≥ 20dB DC to 6GHz
 ≥ 10 dB 6GHz to 9GHz

TEST VOLTAGE 750 V rms
 WORKING VOLTAGE 335 V rms
 POWER CURRENT ≤ 1 A DC
 INSULATION RESISTANCE ≥ 1000MΩ
 CENTER CONTACT RESISTANCE ≤ 15 mΩ
 OUT CONTACT RESISTANCE ≤ 10mΩ
 CROSS TALK(OPTIONAL) ≤ -60dB UP to 10GHz

2. MECHANICAL DATA

MATING CYCLES ≥ 25
 ENGAGEMENT FORCE ≤ 45 N
 DISENGAGEMENT FORCE ≥ 5 N
 RETENTION FORCE ≥ 110 N
 CODING EFFICIENCY ≥ 200 N

3. ENVIRONMENTAL DATA

TEMPERATURE RANGE -40 °C to +105 °C
 THERMAL SHOCK ISO 20860-2 clause 9.2
 TEMPERATURE AND HUMIDITY ISO 20860-2 clause 9.3
 VIBRATION AND MECHANICALSHOCK ISO 20860-2 clause 9.1
 DRY HEAT ISO 20860-2 clause 9.4
 SOLDERING PROFILE ACC. to IEC 60068-2-58 group 3&4
 RoHS COMPLIANT

4. MATERIAL AND PLATING :

CORE PIN	PH/BRONZE	GOLD PLATING
CORE PIN HOLDER	LCP	BLACK
CORE PIN HOUSING	BRASS	TIN PLATING
INTERFACE HOUSING	PA 6T	BLACK
OUTER HOUSING	Zn ALLOY	TIN PLATING

5. PACKAGE: TAPE REEL

PRODUCT NAME RULE

1 FMB N 04 E U 4 R A 3 R H F

1: FINISHED GOOD
 FMB: PRODUCT SERIES
 N: W/ O SHIELDING PLATE
 04: SEQUENTIAL CODE
 E: GOLDEN PLATED
 U: UP
 D: DOWN
 LATCH DIRECTION

HF=HALOGEN FREE
 00=ROHS
 SPECIAL TYPE
 R = R/A THR

PACKING:
 3=TAPE REEL W/O MYLAR

CODING: A

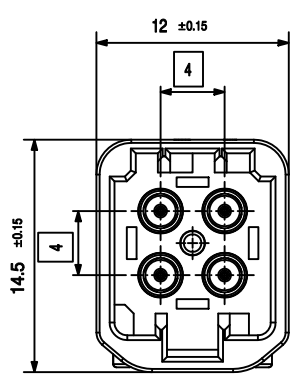
MATING TYPE
 R=RECEPTACLE

Shown: 1FMBN04EU4RA3RHF
 1/1

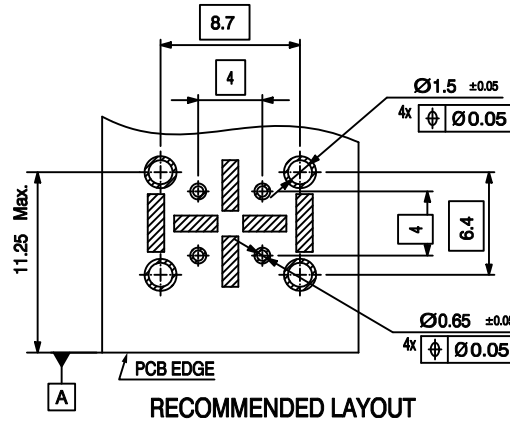
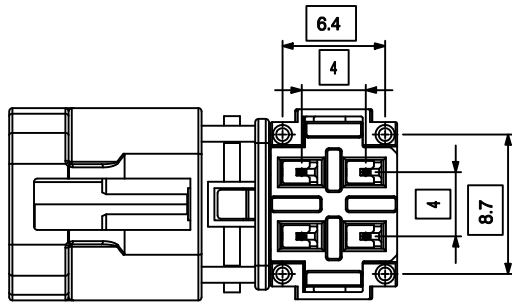
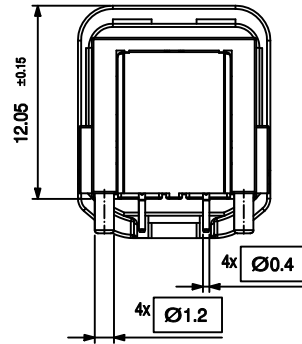
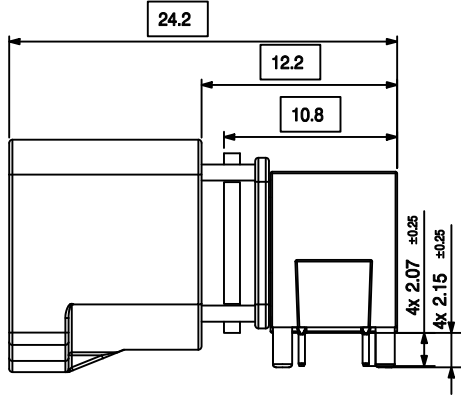
GENERAL TOLERANCE		DRAWN	Michael Wu	10/25'19	SCALE	PART NO.	1FMBN04EU4R*3RHF
X:±0.30	x':±3.0'	CHECKED	Michael Wu	1/17'20	3/1	TITLE	Mini Fakra 4 in 1 RECEPTACLE NORMAL ORIENTATION
.X:±0.25	.x':±2.0'	APPROVED			UNITS	mm	
.XX:±0.20		File NO.	FMBN0401S				CUSTOMER DRAWING
.XXX:±0.10		REV.	蘇州祥龍嘉業電子有限公司 Goldenconn Electronics Technology Co.,LTD				
SHEET	1/2	QTY	1	X2			

此文件为双方检验的唯一标准
This document is the only standard for inspection by both parties.

CODE REVERSED ORIENTATION
Shown: 1FMBN04ED4RA3RHF

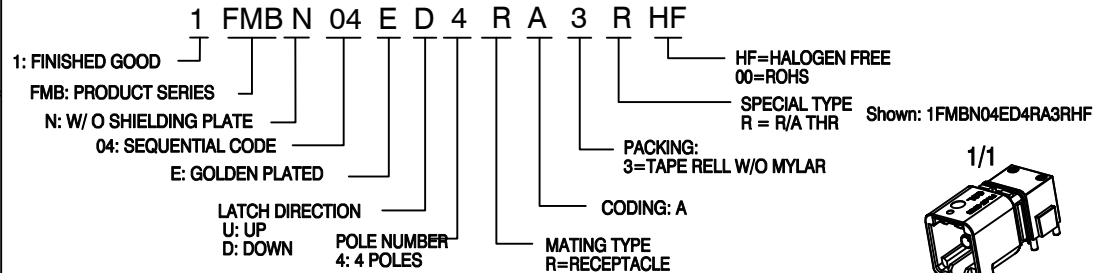


A CODE



RECOMMENDED LAYOUT

PRODUCT NAME RULE



NOTE:

1. ELECTRICAL DATE

IMPEDANCE 50:5Ω
FREQUENCY DC to 9 GHz
RETURN LOSS ≥ 20dB DC to 6GHz
≥ 10 dB 6GHz to 9GHz

TEST VOLTAGE 750 V rms
WORKING VOLTAGE 335 V rms

POWER CURRENT ≤ 1 A DC
INSULATION RESISTANCE ≥ 1000MΩ
CENTER CONTACT RESISTANCE ≤ 15 mΩ
OUT CONTACT RESISTANCE ≤ 10mΩ
CROSS TALK(OPTIONAL) ≤ -60dB UP to 10GHz

2. MECHANICAL DATA

MATING CYCLES ≥ 25
ENGAGEMENT FORCE ≤ 45 N
DISENGAGEMENT FORCE ≥ 5 N
RETENTION FORCE ≥ 110 N
CODING EFFICIENCY ≥ 200 N

3. ENVIRONMENTAL DATA

TEMPERATURE RANGE -40 °C to +105 °C
THERMAL SHOCK ISO 20860-2 clause 9.2
TEMPERATURE AND HUMIDITY ISO 20860-2 clause 9.3
VIBRATION AND MECHANICALSHOCK ISO 20860-2 clause 9.1
DRY HEAT ISO 20860-2 clause 9.4
SOLDERING PROFILE ACC. to IEC 60068-2-58 group 3B
RoHS COMPLIANT

4. MATERIAL AND PLATING :

CORE PIN	PH/BRONZE	GOLD PLATING
CORE PIN HOLDER	LCP	BLACK
CORE PIN HOUSING	BRASS	TIN PLATING
INTERFACE HOUSING	PA 6T	BLACK
OUTER HOUSING	Zn ALLOY	TIN PLATING

5. PACKAGE: TAPE REEL

REV.	ECN.NO.	MODIFY.CONTENT	DATE
X1		/	10/25'19
X2		Revised the note.	1/17'20

GENERAL TOLERANCE		DRAWN	Michael Wu	10/25'19	SCALE	PART NO.	1FMBN04ED4R*3RHF
X:±0.30	x':±3.0'	CHECKED	Michael Wu	1/17'20	3/1	TITLE	Mini Fakra 4 in 1 RECEPTACLE REVESED ORIENTATION
.X:±0.25	.x':±2.0'	APPROVED			UNITS	mm	
.XX:±0.20		File NO.	FMBN0401S			CUSTOMER DRAWING	
.XXX:±0.10		REV.					
SHEET 2/2	QTY 1	X2	蘇州祥龍嘉業電子有限公司 Goldenconn Electronics Technology Co.,LTD				