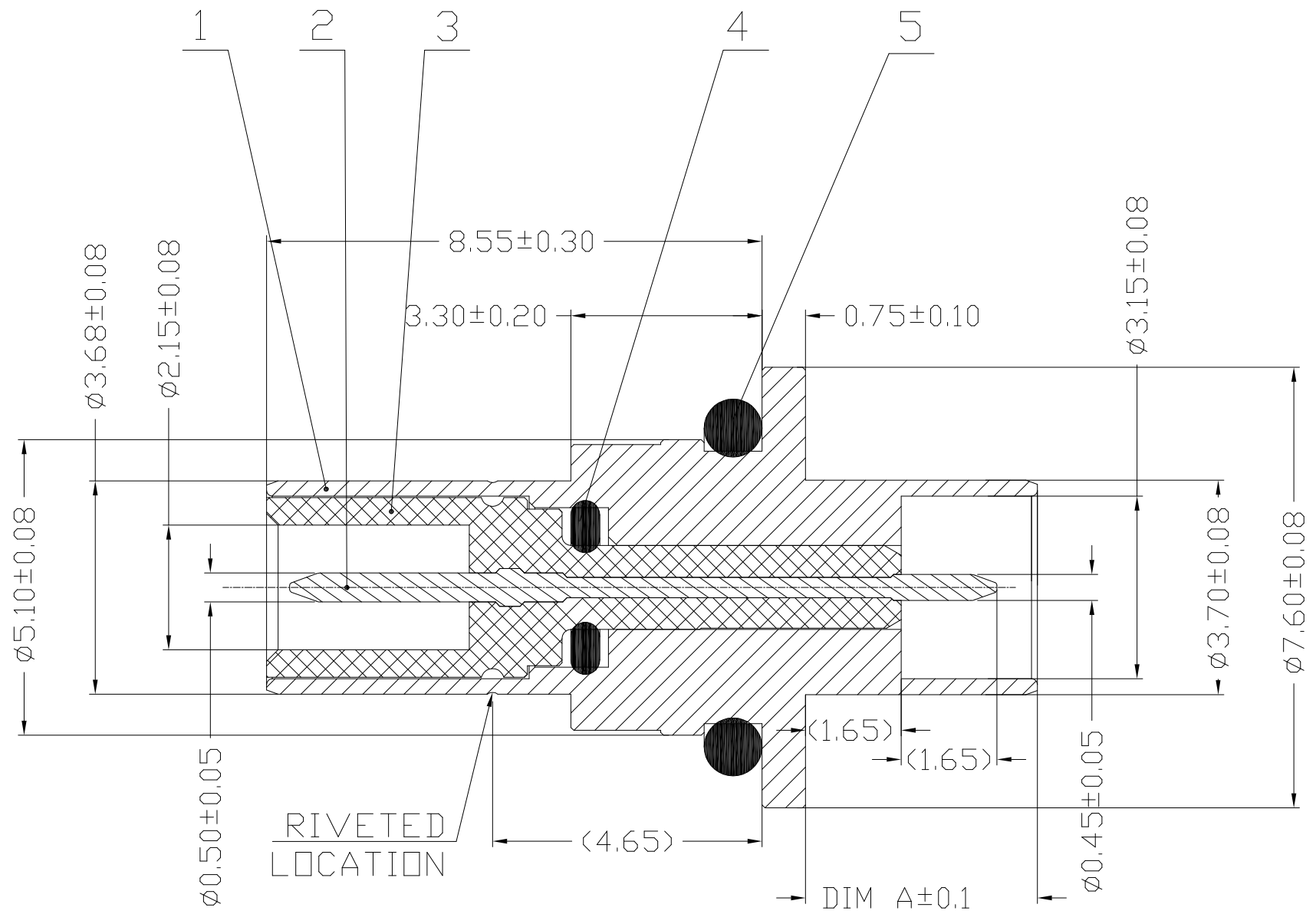


REV.	ECN.NO.	MODIFY.CONTENT	DATE
X1		FIRST VERSION	Oct/29'19

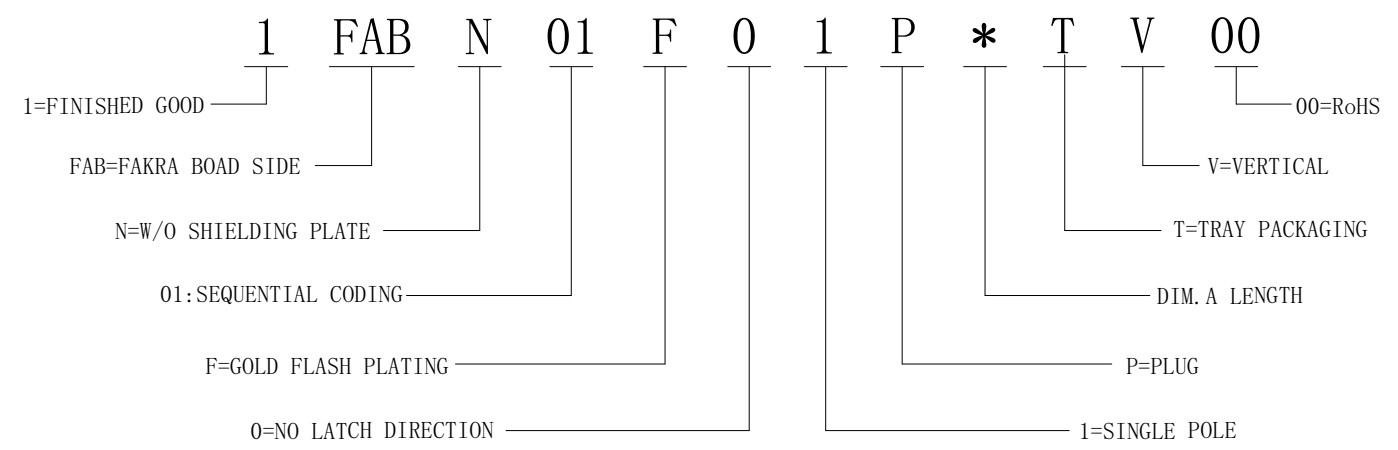


NOTES:

- ELECTRICAL DATA**
 IMPEDANCE: 50 Ω
 FREQUENCY: DC TO 6GHz
 CURRENT RATING: 1A
 CONTACT RESISTANCE: 30mΩ Max.
 WITHSTAND VOLTAGE: 100Vac
- MECHANICAL DATA**
 MATING CYCLES: ≥25
 CONTACT RETENTION FORCE: ≥20N
- ENVIRONMENTAL DATA**
 TEMPERATURE RANGE: -40°C to +105°C
 HAZARDOUS SUBSTANCES: MEET RoHS REQUIREMENTS
- MATERIAL AND TREATMENT**
 SEE THE TABLE

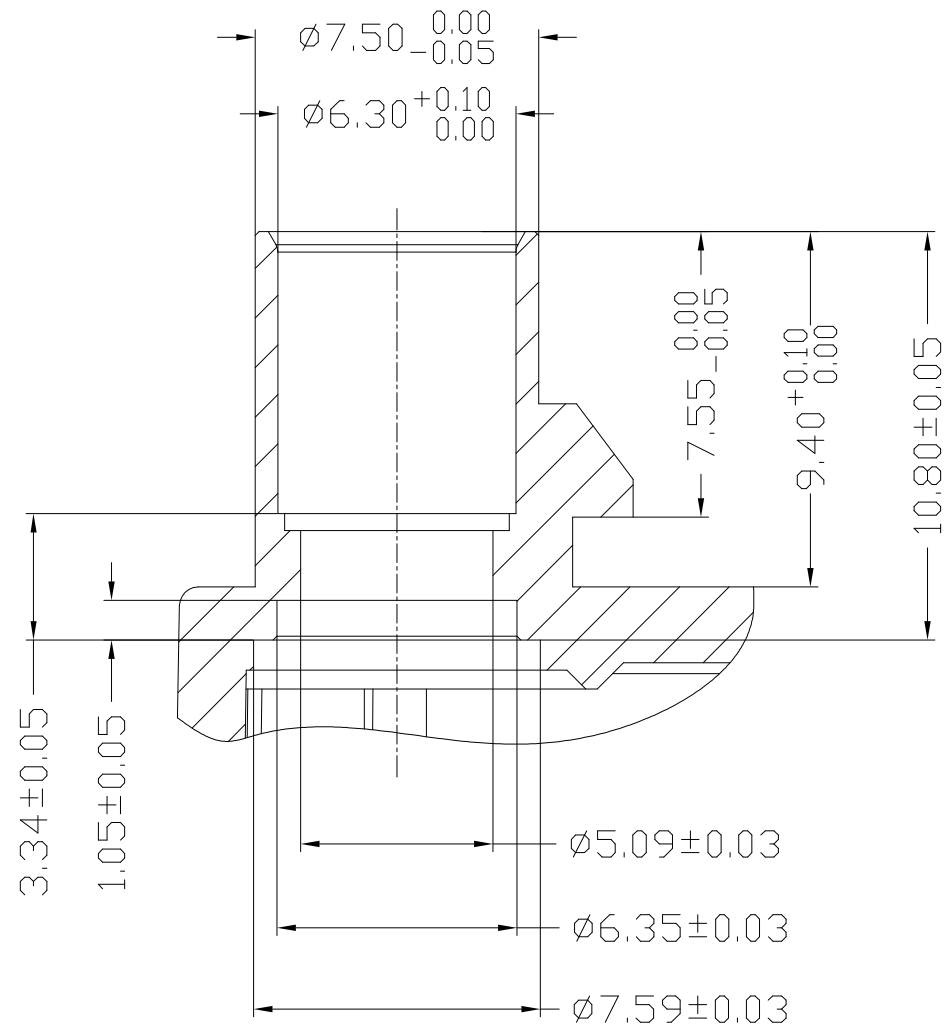
3FABN01MA0004-00	1FABN01F01P4TV00	4.00
3FABN01MA0003-00	1FABN01F01P3TV00	3.70
3FABN01MA0002-00	1FABN01F01P2TV00	3.50
3FABN01MA0001-00	1FABN01F01P1TV00	3.30
EMI shielding	FINAL PART NO.	DIM. A

PRODUCT NAME RULE



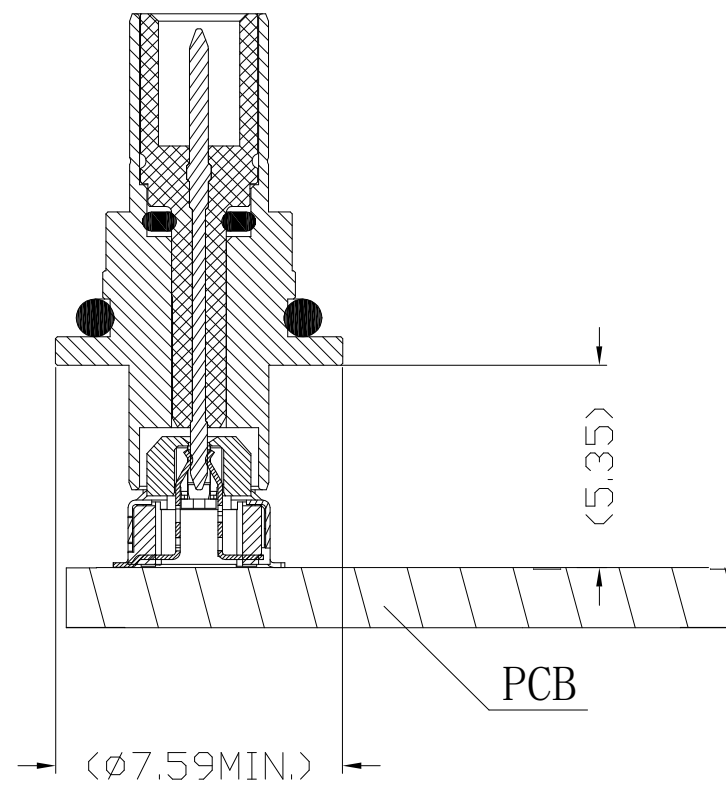
1	3FABN01MA000*-00	EMI shielding	1	BRASS	Ni PLATING		
2	3FABN01MF0001-00	Terminal	1	BRASS	NI PLATING OVER ALL, GF OVER NIKEL		
3	2FABN01B0101B-00	Insert molding	1	PA9T GF45	BLACK		
4	3FABN01SBK002-00	Inner o-ring	1	SILICONE	BLACK		
5	3FABN01SBK001-00	Outer o-ring	1	SILICONE	BLACK		
ITEM	PART NO. :	DECIPTION	QTY.	MATERIAL	NOTES		
GENERAL TOLERANCE		DRAWN	K.G. Yu	Oct/29'19	SCALE	PART NO.	1FABN01F01P*TV00
x.±0.30	x.°±2.0°	CHECKED	R.F. Wu	Oct/29'19	10:1	TITLE	Floating Fakra male plug
.x±0.25	.x°±1.0°	APPROVED	Sky. He	Oct/29'19	UNITS	mm	CUSTOMER DRAWING
.xx±0.20		File NO.	FABN0101S				
.xxx±0.10		REV.					
SHEET	1/2	Q'TY	1	X1	蘇州祥龍嘉業電子科技股份有限公司 Goldenconn Electronics Technology Co.,LTD		

REV.	ECN.NO.	MODIFY.CONTENT	DATE
X1		FIRST VERSION	Oct/29'19



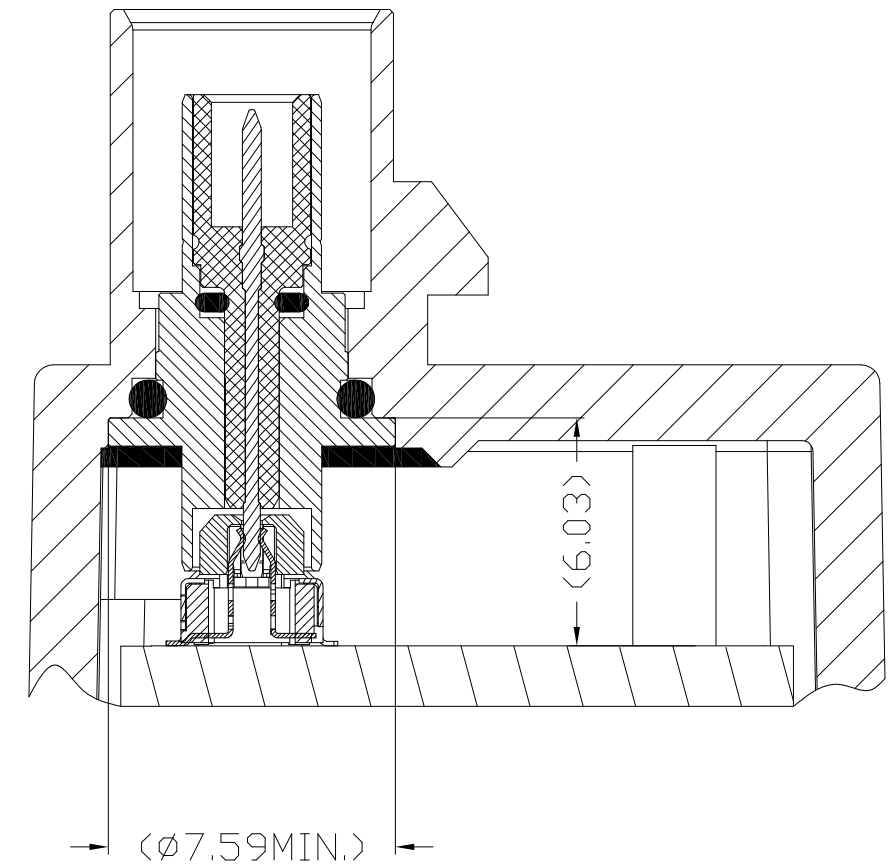
RECOMMENDED DIMENSIONS OF CASE

NOTE 1



MATING CONDITION

NOTE 2

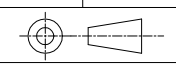


MATING CONDITION

NOTE 3

NOTES:

- PLEASE MAKE THE CASE IN COMPLIANCE WITH THE DIMENSIONS STATED
- MATING CONDITION:
MATE WITH TLOATING FAKEA P/N 1FAR001J01R1R-HF
- AVIOD SHAPING OR INSTALLING PARTS IN THE PROHIBITED AREA

GENERAL TOLERANCE		DRAWN	K.G. Yu	Oct/29'19	SCALE	PART NO.	1FABN01F01POTV00
$x. \pm 0.30$	$x.^{\circ} \pm 2.0^{\circ}$	CHECKED	R.F. Wu	Oct/29'19	5:1	TITLE	Floating Fakra male plug
$.xx \pm 0.25$	$.x.^{\circ} \pm 1.0^{\circ}$	APPROVED	Sky. He	Oct/29'19	UNITS	mm	CUSTOMER DRAWING
$.xxx \pm 0.20$		File NO.	FABN0101S				
$.xxx \pm 0.10$		REV.	蘇州祥龍嘉業電子科技股份有限公司 Goldenconn Electronics Technology Co.,LTD				
SHEET	2/2	Q'TY					