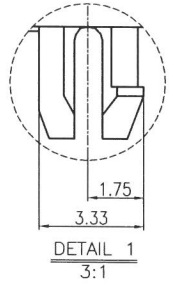
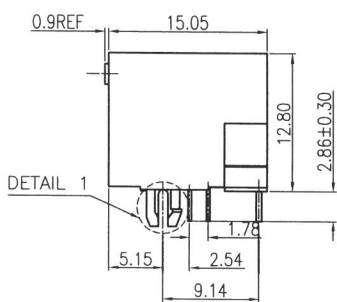
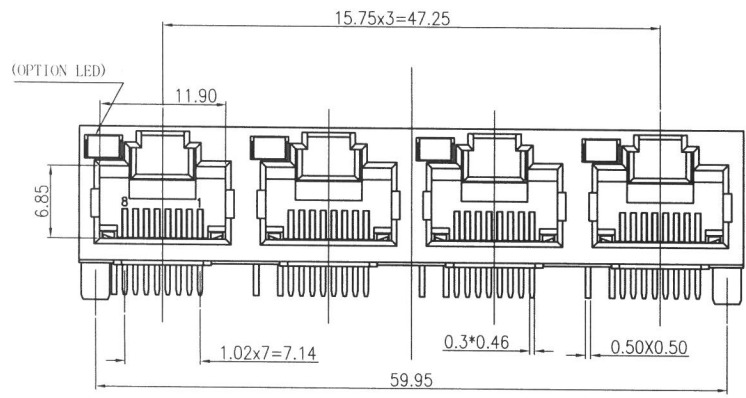


LED2
Green



REV.	ECN.NO.	MODIFY.CONTENT	DATE
A		FIRST VERSION	



NOTES:

ELECTRICAL:

- 1.VOLTAGE RATING: 150VAC
- 2.CURRENT RATING: 1.5AMPS
- 3.CONTACT RESISTANCE: 30 mΩ MAX
- 4.INSULATION RESISTANCE: 500 MΩ MIN @ 500V DC

MECHANICAL:

- 1.HOUSING & INSERT MATERIAL: HIGH-TEMP POLYSTYCS,UL94V-0.
- 2.CONTACT MATERIAL:PHOSPHOR BRONZE T=0.35M.
- 3.CONTACT PLATING: 1.CONTACT AREA SELECTIVE GOLD PLATED;
2.TAIL PLATED TIN OVER NICKEL.
- 4.MATING / UNMATING FORCE: 30N MAX.
- 5.RETENTION STRENGTH: 50N FOR 60S±5S.
- 6.DURABILITY : 750 CYCLES MIN.

ENVIRONMENTAL:

- 1.STORAGE TEMPERATURE: -40°C ~ + 85°C RELATIVE HUMIDITY<80%
- 2.OPERATION TEMPERATURE : -40°~+ 70°C

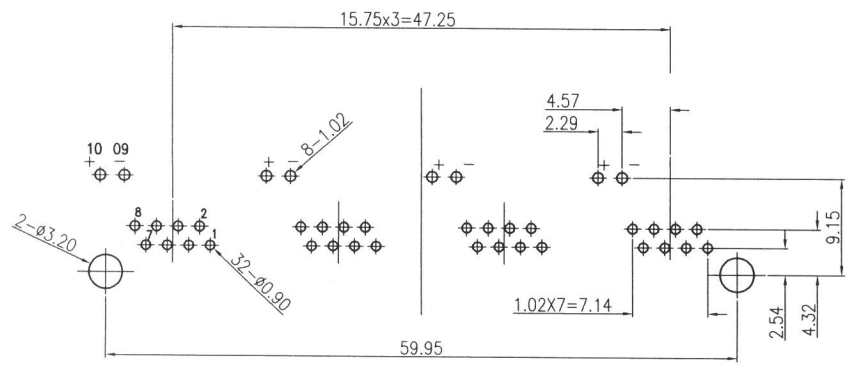
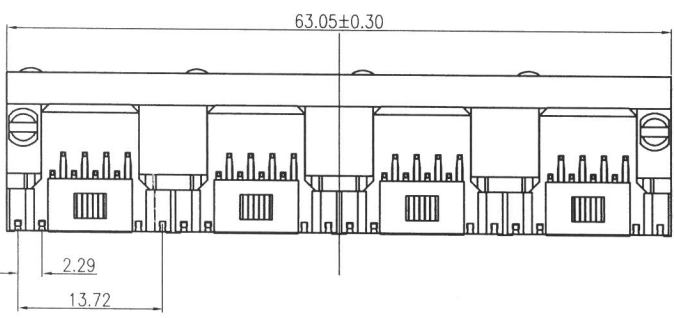
PARTS CONFORMING TO IEC60603-7.

PART NO:

1 J 4 H 0 5 7 * 1 4 8 * A - 0 0

HOUSING COLOR
0=WHITE 1=BLACK 2=BROWN
3=RED 4=ORANGE 5=YELLOW
6=GREEN 7=BLUE 9=GRAY

GOLD PLATING
F=G/F H=3U" W=6U"
J=15U" K=30U" M=50U"



RECOMMENDED PCB LAYOUT, TOP VIEW
THICKNESS=1.6MM, TOLERANCE=0.05MM

此文件为双方检验的唯一标准
This document is the only standard for inspection by both parties.

GENERAL TOLERANCE		DRAWN	Harold.Zou Oct-09	SCALE	N/A	PART NO.	1J4H057*148*A-00
X.±0.30	x.±3.0°	CHECKED	Raf. Lee Oct-09	TITLE	CONNECTOR 1X4 PORT RJ45 TOPMOUNT W/H LEFT LEDS W/O SHIELDING	CUSTOMER DRAWING	
.X±0.25	.x'±2.0°	APPROVED	Raf. Lee Oct-09	UNITS	mm		
.XX±0.20		File NO.	J4H05702S				
.XXX±0.10		REV.					
SHEET	1/1	Q'TY	1	蘇州祥龍嘉業電子科技股份有限公司 Goldenconn Electronics Technology Co.,LTD			
			A				