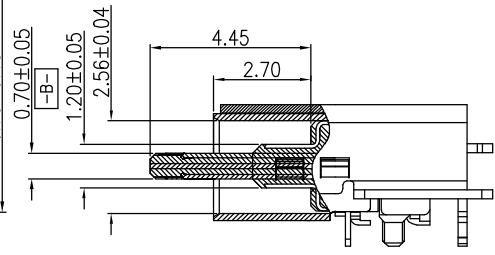
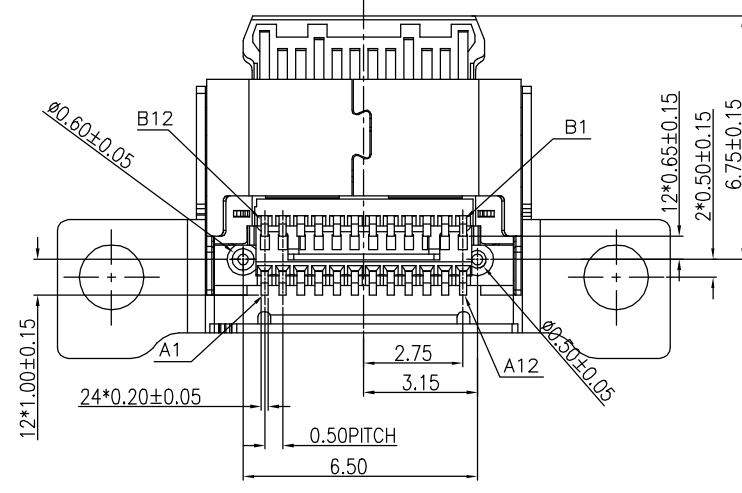
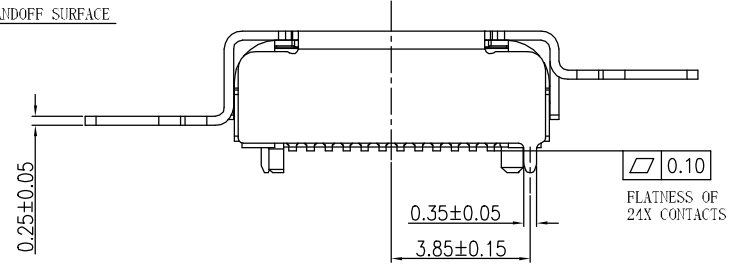
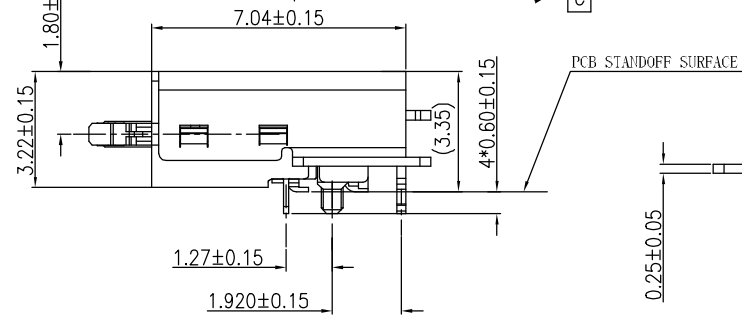
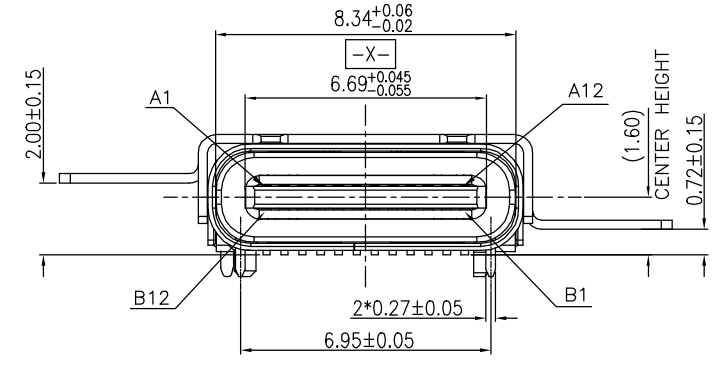
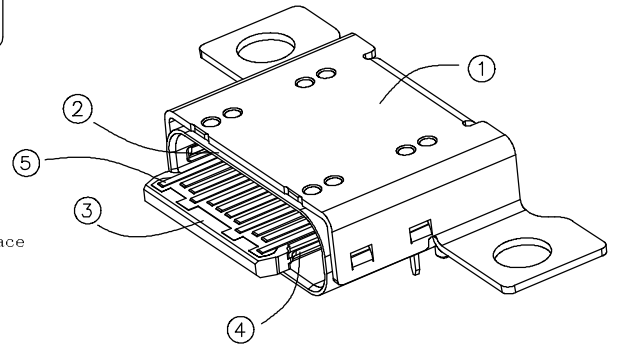
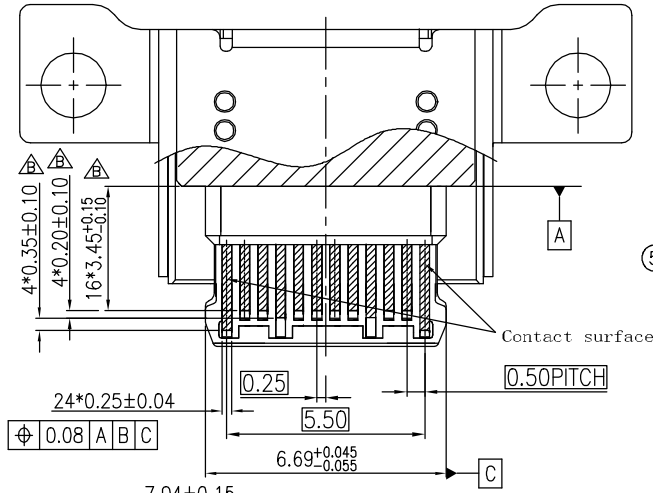
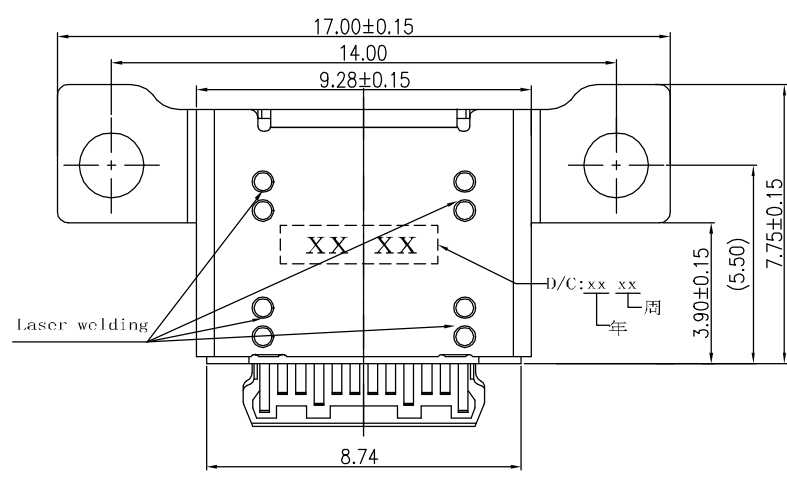


REV.	ECN.NO.	MODIFY.CONTENT	DATE
A	---	FIRST VERSION	09/16'20
B	---	修改端子接触长度尺寸管制	12/14'20

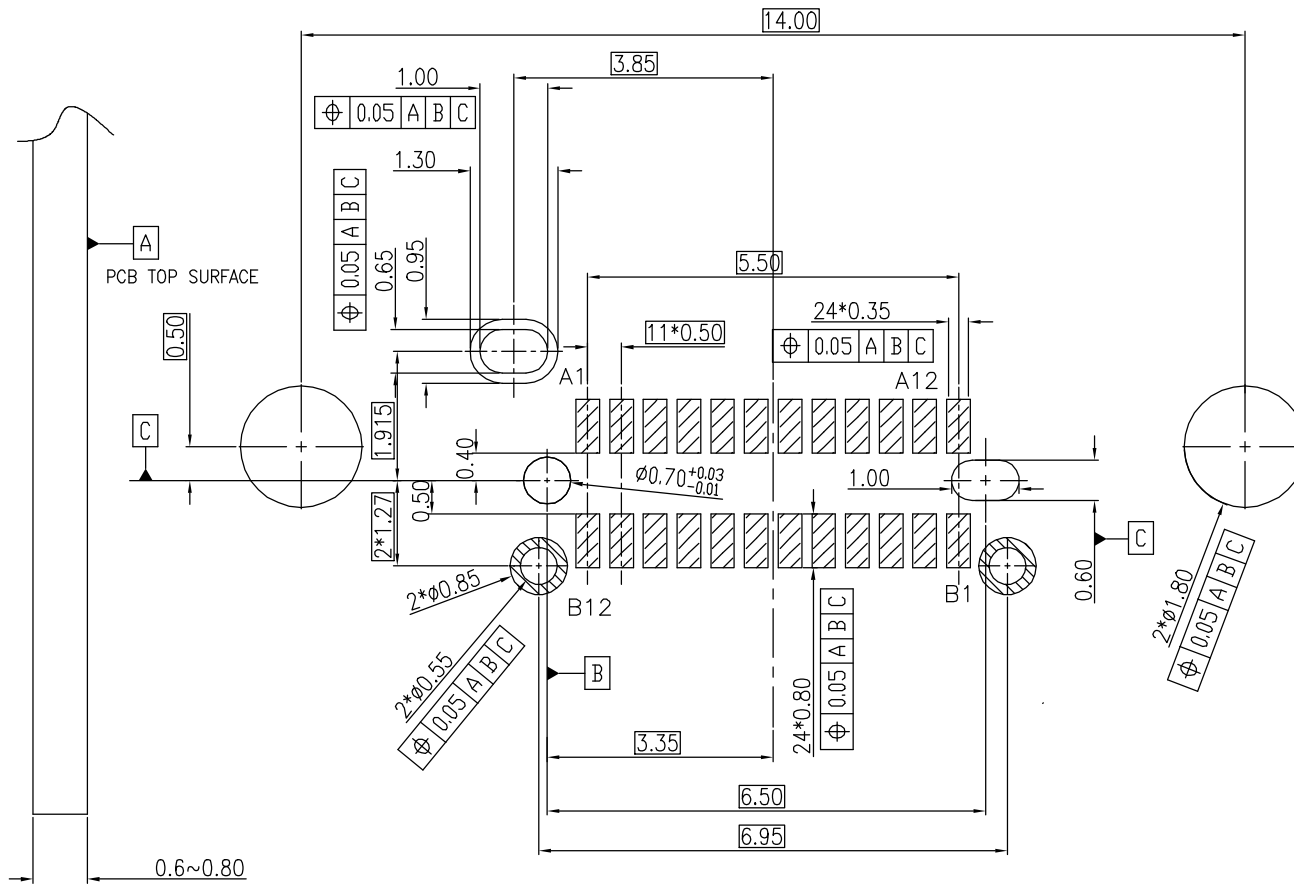


⑤	TERMINAL	24PCS	C18150-R540	50u" MIN. Ni UNDER PLATING. 80u" MIN. MATTE TIN PLATING ON SOLDER AREA. GOLD PLATING ON CONTACT AREA.(SEE PART NUM)
④	SHIELDING PLATE	1 PCS	SUS 301-EH	50u" MIN. SOLDERABLE Ni PLATING OVERALL.
③	HOUSING	1 PCS	PA 46	UL94V-0
②	SHELL	1 PCS	SUS 304-H	STAINLESS STEEL
①	TOP SHELL	1 PCS	SUS 304-H	STAINLESS STEEL
ITFM	PART NAMF	QTY	MATFRIAL	RFMARK

GENERAL TOLERANCE	DRAWN	Jade.Zhang	09/16'20	SCALE	PART NO.	1UBC083F24R11-HF
X.±0.30	x.°±1°	CHECKED	Ray.Lee	09/16'20	TITLE	USB TYPE C DUAL SMT,CH1.6mm
.X±0.25	.x'±0.1°	APPROVED	Murray Lu	09/16'20	UNITS	mm
.XX±0.10		File NO.	UBC08301S			
.XXX±0.10		REV.				
SHEET	1/3	Q'TY	1	B	蘇州祥龍嘉業電子科技股份有限公司 Goldenconn Electronics Technology Co.,LTD	

此文件为双方检验的唯一标准
This document is the only standard for inspection by both parties

REV.	ECN.NO.	MODIFY.CONTENT	DATE
A	---	FIRST VERSION	09/16'20
B	---	修改端子接触长度尺寸管制	12/14'20



NOTES:

- ELECTRICAL CHARACTERISTICS :
 - CONTACT CURRENT RATING:
 - 5.0 A FOR VBUS PIN AND ITS CORRESPONDING GND PIN.
 - 0.25 A MIN FOR ALL OTHER CONTACTS.
 - CONTACT RESISTANCE: INITIAL 40 mΩ Max.
AFTER 50 mΩ Max.
 - DIELECTRIC WITHSTANDING VOLTAGE : 100 VRMS AC MIN.
 - INSULATION RESISTANCE: 100 MEGOHMS MIN.
- MECHANICAL CHARACTERISTICS:
 - CONNECTOR INSERTION FORCE: 5~20N.
AT A MAXIMUM RATE OF 12.5MM PER SECOND.
 - CONNECTOR EXTRACTION FORCE: 8~20N FORM 1000 CYCLES
6~20N FORM 1000 to 10000 CYCLES
 - DURABILITY: 10000 CYCLES.
 - OPERATING TEMPERATURE: -55°C TO +85°C
- DIMENSIONS ARE IN MILLIMETERS, BRACKETED DIMENSIONS ARE INCHES EQUIVALENTS.
- RECOMMENDED PROCESS: IR REFLOW 260°C, 10 SECONDS.
- THE CONNECTOR IS ROHS COMPLIANT.
- PRODUCT NUMBER :

1UBC083 F 24R 1 1-HF
 HF:HALOGEN FREE
 HOUSING COLOR
 1:BLACK
 PLATING CODE:
 F:GOLD FLASH

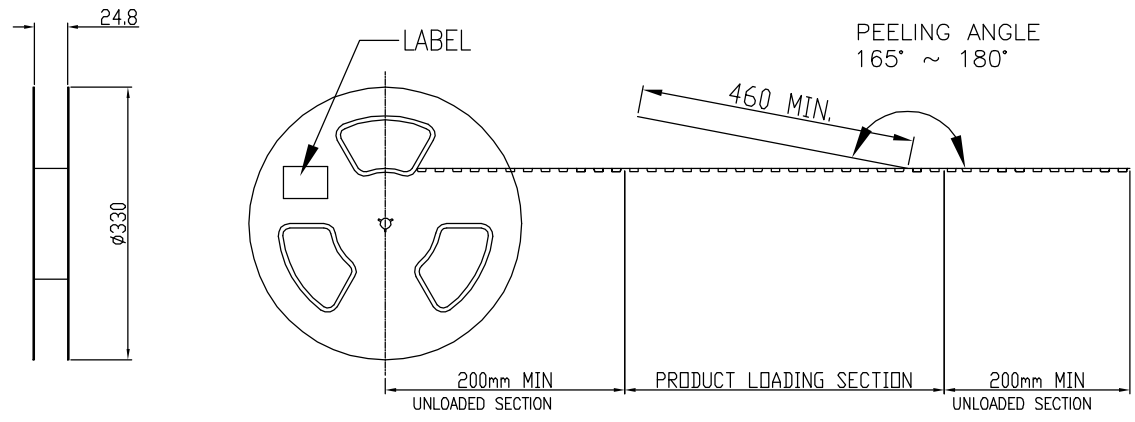
RECOMMENDED PCB LAYOUT TOLERANCE ±0.05MM.

PIN	SIGNAL NAME	PIN	SIGNAL N
A1	GND	B12	GND
A2	SSTXp1	B11	SSRXp1
A3	SSTXn1	B10	SSRXn1
A4	VBUS	B9	VBUS
A5	CC1	B8	SBU2
A6	Dp1	B7	Dn2
A7	Dn1	B6	Dp2
A8	SBU1	B5	CC2
A9	VBUS	B4	VBUS
A10	SSRXn2	B3	SSTXn2
A11	SSRXp2	B2	SSTXp2
A12	GND	B1	GND

此文件为双方检验的唯一标准
 This document is the only standard for inspection by both parties

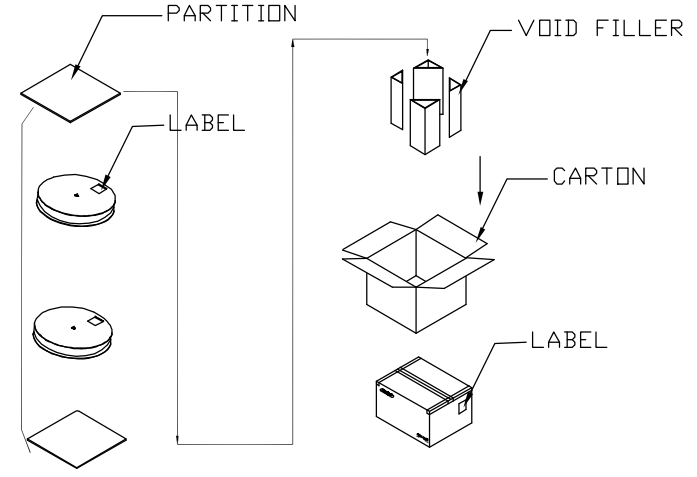
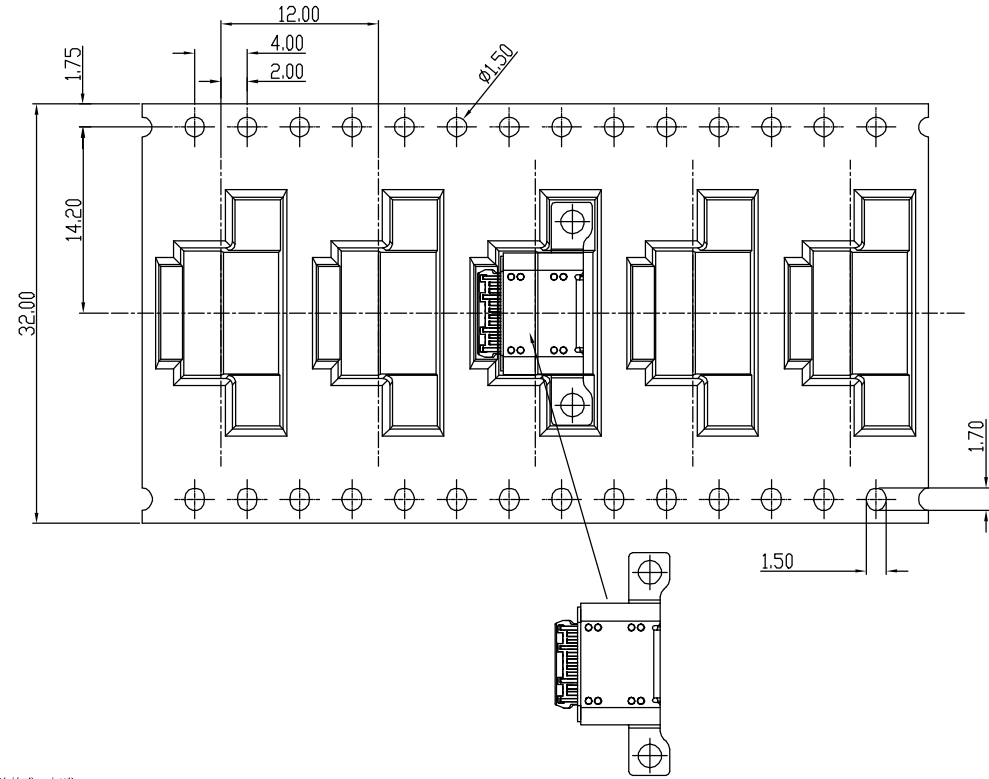
GENERAL TOLERANCE		DRAWN	Jade.Zhang	09/16'20	SCALE	PART NO.	1UBC083F24R11-HF
X.±0.30	x.°±1°	CHECKED	Ray.Lee	09/16'20	N/A	TITLE	USB TYPE C DUAL SMT,CH1.6mm
.X±0.25	.x°±0.1°	APPROVED	Murray Lu	09/16'20	UNITS	mm	CUSTOMER DRAWING
.XX±0.10		File NO.	UBC08301S				
.XXX±0.10		REV.	蘇州祥龍嘉業電子科技股份有限公司 Goldenconn Electronics Technology Co.,LTD				
SHEET	2/3	Q'TY	1	B			

REV.	ECN.NO.	MODIFY.CONTENT	DATE
A	---	FIRST VERSION	09/16'20
B	---	修改端子接触长度尺寸管制	12/14'20



- NOTES :
- MATERIAL :
COVER TAPE : P.S T=0.05mm
CARRIER TAPE : P.S T=0.40mm
CARTON: CORRUGATED FIBER
 - DIMENSION :
REEL : SEE DRAWING
SHIPPING BOX: 350X350X300mm
 - QUANTITY : SEE TABLE
 - PEELING RESISTANCE : 10gf~130gf (for 12~56mm)
 - PEELING SPEED : 300mm/MINUTES

PULL OUT DIRECTION
→



1000	7	7000
PCS/REEL	REEL/BOX	TOTAL Q'TY

GENERAL TOLERANCE		DRAWN	Jade Zhang	09/16'20	SCALE	PART NO.	1UBC083F24R11-HF
X.±0.40	x.°±1°	CHECKED	Ray_Lee	09/16'20	N/A	TITLE	USB TYPE C DUAL SMT,CH1.6mm
.X±0.30	.x'±0.1°	APPROVED	Murray Lu	09/16'20	UNITS	mm	CUSTOMER DRAWING
.XX±0.25		File NO.	UBC08301S				
.XXX±0.10		REV.	蘇州祥龍嘉業電子科技股份有限公司				
SHEET	3/3	Q'TY	1	B	Goldennonn Electronics Technology Co.,LTD		

此文件为双方检验的唯一标准
This document is the only standard for inspection by both parties